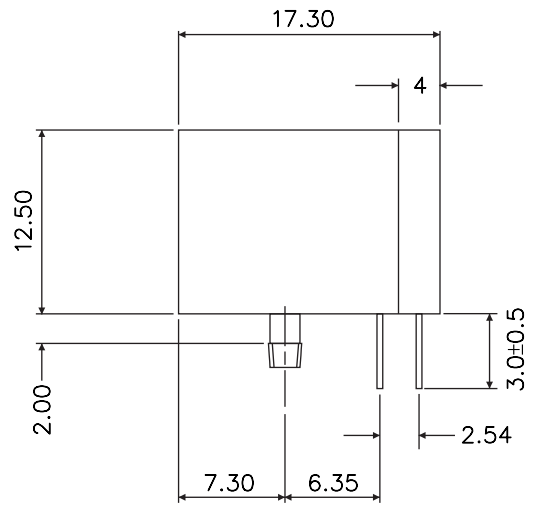
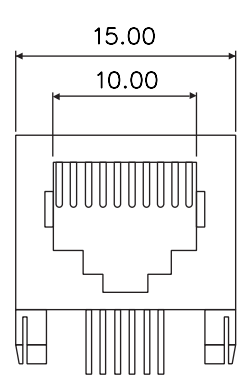


REV	DESCRIPTION	DATE
A	Initial Release	05.11.08



**SPECIFICATIONS**

**MATERIAL:**

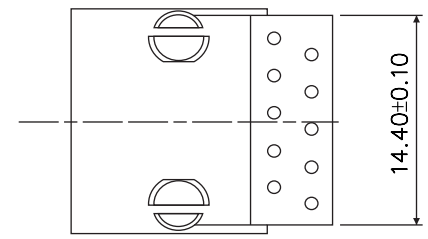
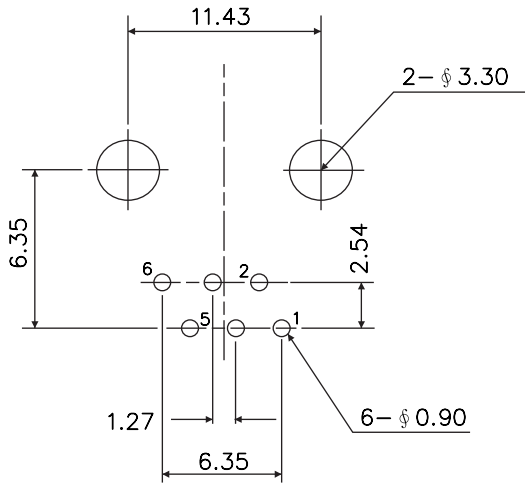
1. Housing: PBT Polyester UL94V0
2. Color: Black
3. Contacts: 0.45mm Diameter Phos-Bronze Plated With Hard Gold

**ELECTRICAL:**

1. Current Rating: 1.5 AMP MAX
2. Voltage Rating: 150 VAC MAX
3. Contact Resistance: 20 milliohms MAX, initial
4. Insulation Resistance: 500 Megohms MIN
5. Dielectric Withstanding Voltage: 1000 VAC, 1min

PART NO. MJL2660101Kxx

- Gold Plating
- 03: 3u"
- 06: 6u"
- 15: 15u"
- 30: 30u"
- 50: 50u"



PCB LAYOUT/TOP VIEW

				DRAWN BY		TOMMY	
				CHECKED			
TITLE:		6P Side Entry Modular Jack		APPROVED			
PART NO:		MJL2-660101Kxx		DRAW NO			
File Number:				UNIT		mm	
SCALE		/		REV		A	

