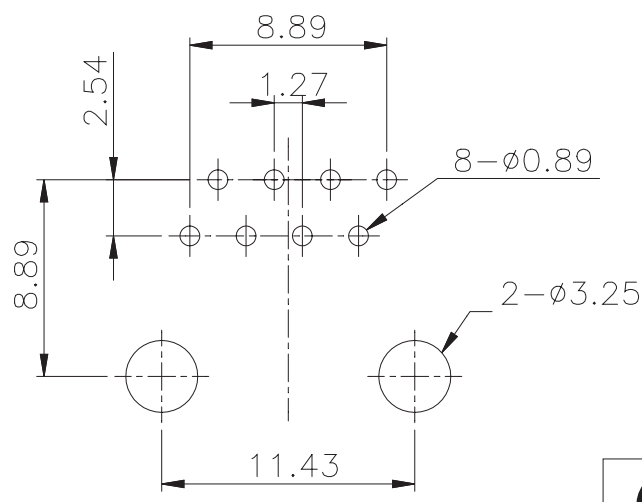
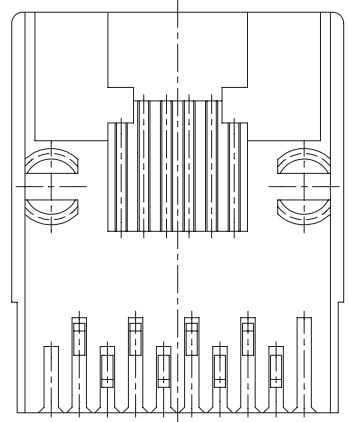
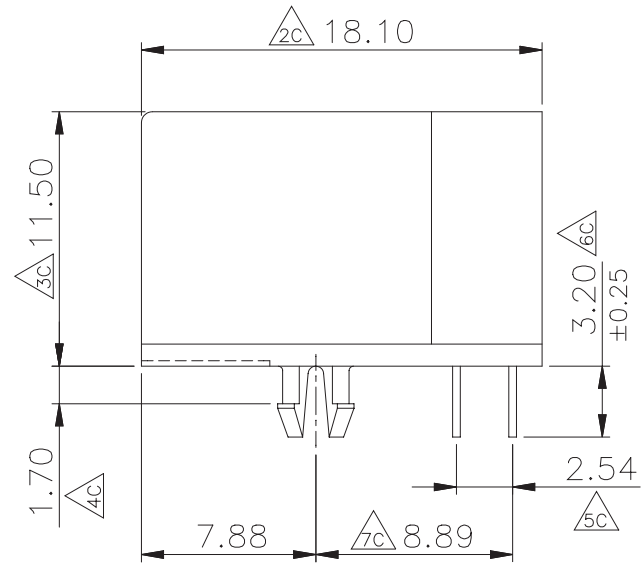
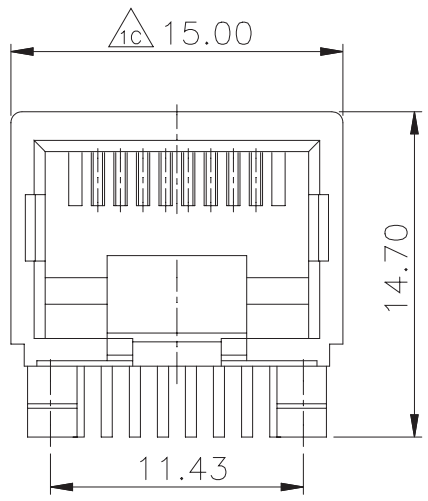


REV	DESCRIPTION	DATE
A	Initial Release	07.01.15
B~D	ECN Change	11'10.26



PCB LAYOUT/TOP VIEW

MATERIALS:

PLASTIC HOUSING: ENGINEERING THERMOPLASTIC
FLAMMABILITY RATING UL 94V-0.

CONTACTS: PHOSPHOR BRONZE

PLATING: GOLD PLATING OVER NICKEL IN CONTACT.
TIN PLATING OVER NICKEL IN SOLDER AREA.

PART NO. MJL1B-880101K06

Contact Gold Plating
06 : 6u" Gold
15 : 15u" Gold

※△c: Q.C. Controlled Dimensions



PANSTRONG COMPANY LTD.

DRAWN BY TOMMY

CHECKED

TITLE: 8P8C SIDE ENTRY JACK

APPROVED

PART NO: MJL1B-880101K

DRAWING NO. 3004CF6100

SCALE 3:1 REV D

UNIT mm

TOLERANCE	
.XXX	±0.10
.XX	±0.25
.X	±0.38
X	±0.50
ANG	±3°

