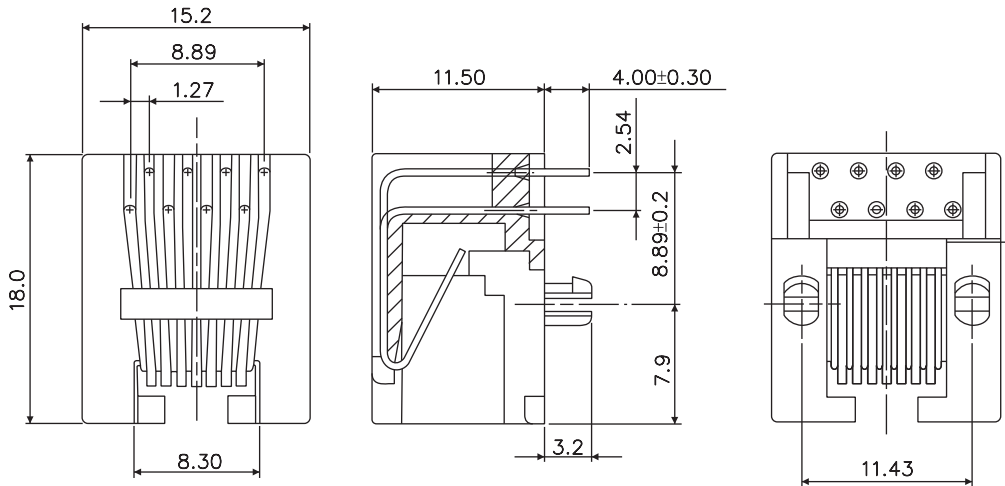


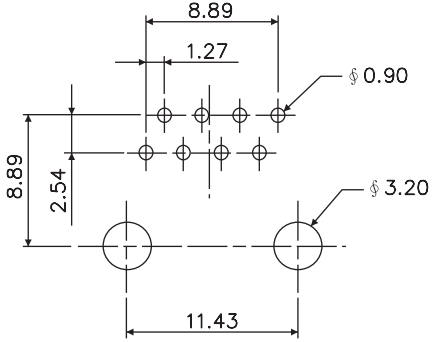
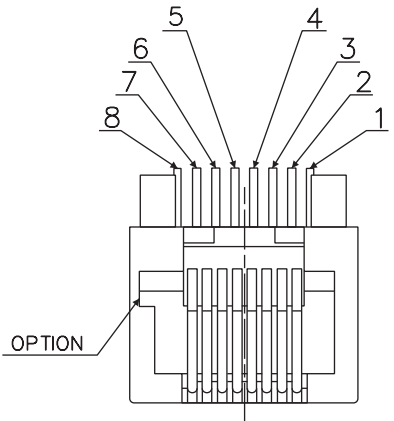
REV	DESCRIPTION	DATE
A	Initial Release	05'.11.11



- ELECTRICAL:**
- VOLTAGE RATING: 125 VAC RMS.
  - CURRENT RATING: 1.5 AMP.
  - CONTACT RESISTANCE: 30 MINIOHMS MAX.
  - INSULATION RESISTANCE: 1000 MEGOHMS MIN @ 500 VDC.
  - DIELECTRIC STRENGTH: 1000 VAC RMS 60Hz, 1MIN.

- MECHANICAL:**
- HOUSING MATERIAL: GLASS FILLED POLYESTER UL94V-0.
  - CONTACT MATERIAL: PHOSPHOR BRONZE  $\phi$  0.46mm.
  - PLATING: GOLD PLATING OVER NICKEL.
  - OPERATING LIFE: 750 CYCLES MIN.
  - PCB RETENTION PRE-SOLDER: 1 LB MIN.
  - PCB RETENTION POST-SOLDER: 10 LBS MIN.

- ENVIRONMENTAL:**
- STORAGE: -40°C TO +85°C
  - OPERATION: 0°C TO 70°C



PC Board Layout  
Component Side Shown.

PART NO.  
MJL1- 8 8 01 01 K 06

No. of Pos. ——— 8  
No. of Contact ——— 8  
Thru-Hole ——— 01  
Side Entry ——— 01

Gold Plating of Contact  
03: 3u"  
06: 6u"  
15: 15u"...  
K: Black

<b>PANSTRONG COMPANY LTD.</b>				DRAWN BY		TOMMY	
				CHECKED			
TITLE:		90° VERY L/P PCB JACK 8P		APPROVED			
PART NO:		MJL1-880101K		DRAW NO			
File Number:							
SCALE	/	REV	A	UNIT	mm		