

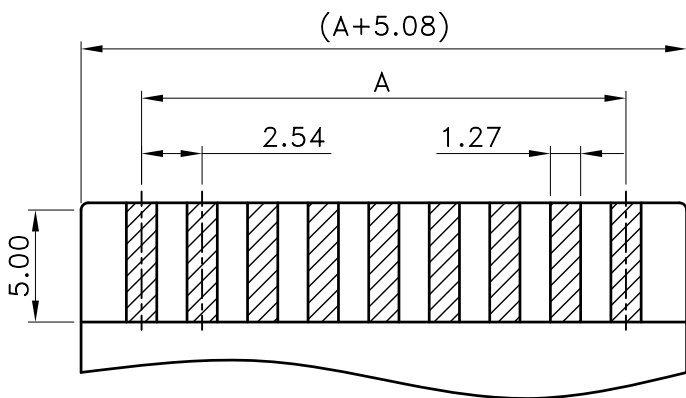
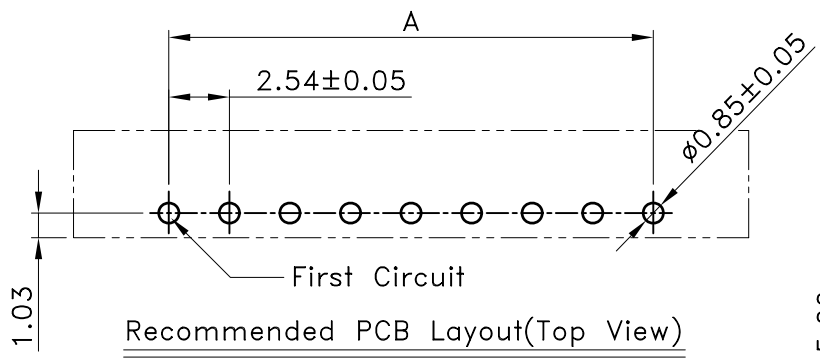
REV	DESCRIPTION	DATE
A	Initial Release	10'.06.02

■ SPECIFICATIONS

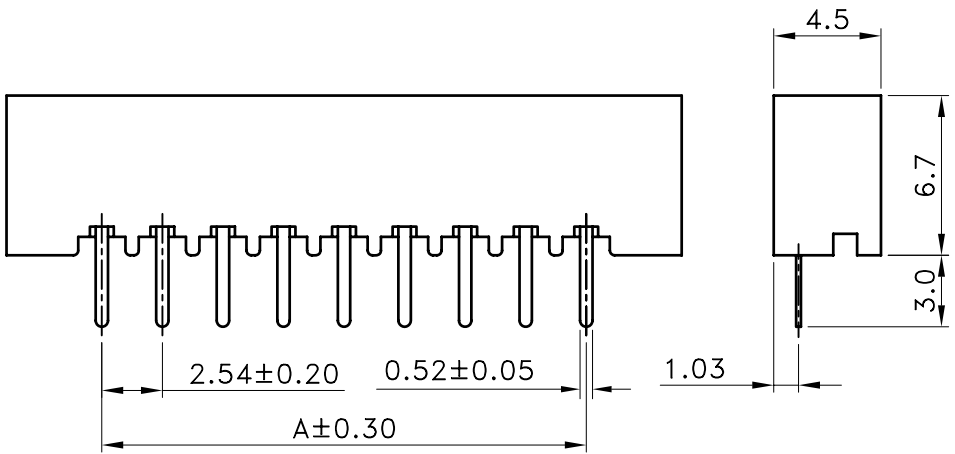
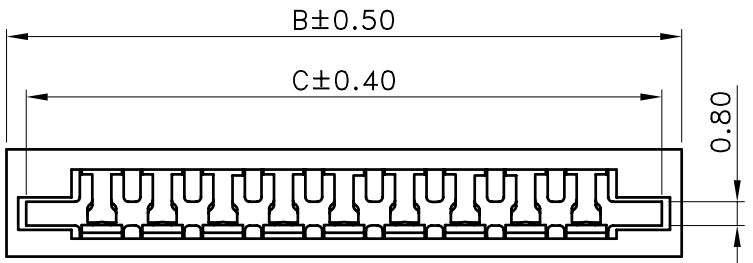
- Current Rating : 1A AC/DC
- Withstanding Voltage : 500V AC/minute
- Insulation Resistance : 1,000MΩ min
- Temperature Range : - 55°C to + 85°C
- Contact Resistance : 20mΩ max

■ FFC/FPC CONNECTOR

- Part No. : JS-1160-XX
- Poles : 02~26(Straight)
- RoHS Compliant 2002/95/EC
- Material :
 - 1.Contact : Phos. Bronze, Tin Plated
 - 2.Base : PBT UL94V-0
- Q' ty : 1,000pcs./Bag



RECOMMENDED FPC/FFC DIM.
(Thickness:0.30±0.05mm)



Poles	Dimensions (mm)		
	A	B	C
2	2.54	10.54	8.43
3	5.08	13.08	10.97
4	7.62	15.62	13.51
5	10.16	18.16	16.05
6	12.70	20.70	18.59
7	15.24	23.24	21.13
8	17.78	25.78	23.67
9	20.32	28.32	26.21
10	22.86	30.86	28.75
11	25.40	33.40	31.29
12	27.94	35.94	33.83
13	30.48	38.48	36.37
14	33.02	41.02	38.91
15	35.56	43.56	41.45
16	38.10	46.10	43.99
17	40.64	48.64	46.53
18	43.18	51.18	49.07
19	45.72	53.72	51.61
20	48.26	56.26	54.15
21	50.80	58.80	56.69
22	53.34	61.34	59.23
23	55.88	63.88	61.77
24	58.42	66.42	64.31
25	60.96	68.96	66.85
26	63.50	71.50	69.39

Ordering Information

FP-xxA01SKN-T
 Number of Contact : 02...28
 Contact Plating:
 T : Tin
 F : Selective Gold
 G : Fully Gold Flash

TOLERANCE
.0 ±0.3
.00 ±0.2
.000 ±0.1
ALL ±
° ANGLE ±
.0° ±

PANSTRONG COMPANY LTD.				DRAWN BY		TOMMY	
				CHECKED			
TITLE: 2.54mm NON-ZIF Connectors Dual Beam Contact Style				APPROVED			
				DRAWING NO.		JS-1160-XX	
PART NO:		FP-xxA01SKN		UNIT		mm	
SCALE		/ REV A					