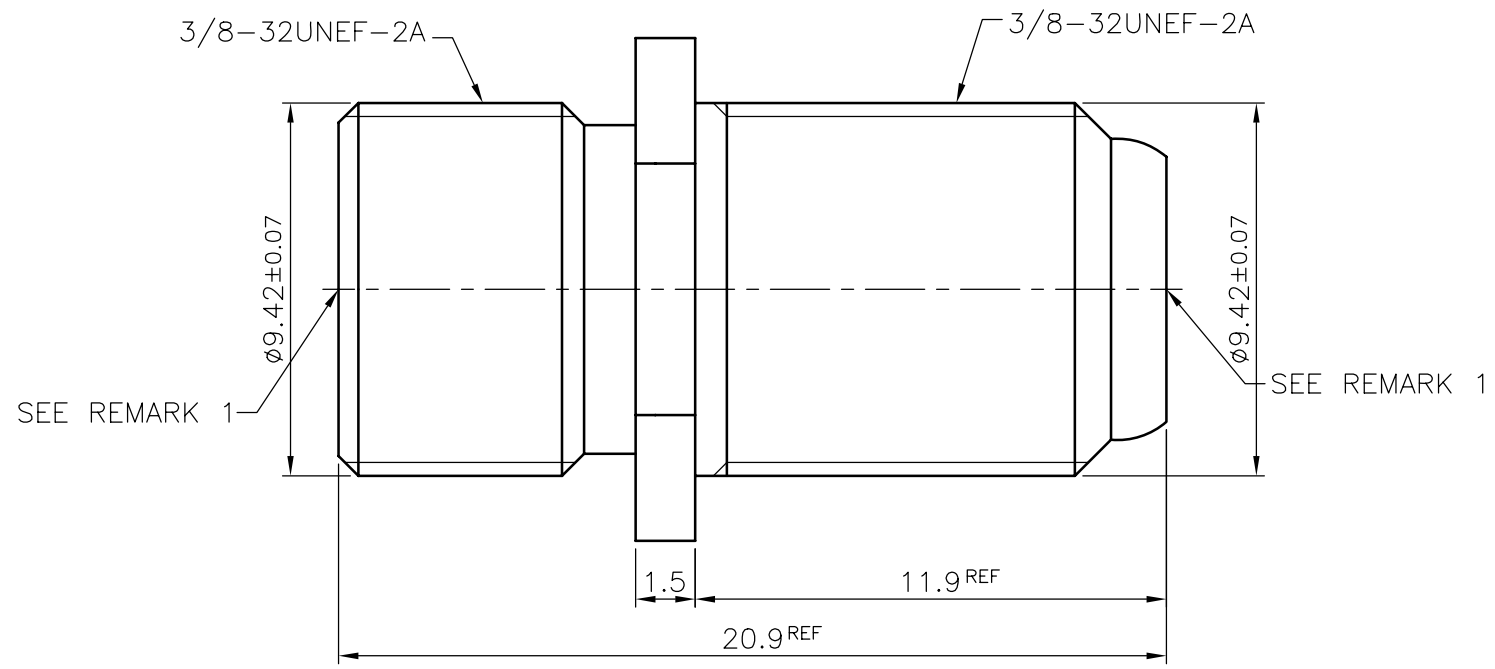


| REVISIONS | | |
|-----------|--------|---|
| ISS | SYMBOL | DESCRIPTION\DATE |
| A1 | | Initial release from old part no. 03/19/07" |
| A2 | | Add $\phi 9.42 \pm 0.07$ \08/07/08' |

REMARK: 1. ACCEPTS $\phi 0.5 \sim \phi 1.07$ MATING PIN
2. RoHS COMPLIANT



- NOTES: FINISH (PLATING THICKNESS IN MICRO-INCHES)
1. BRASS PER QQ-B-626
 2. NICKEL PL 70 MIN THICK OVER COPPER STRIKE
 3. BRASS JIS H 3100, C 2680
 4. BRIGHT TIN PL 100 MIN THICK OVER COPPER STRIKE

| NO. | DESCRIPTION | MATERIAL | FINISH | Q'TY | DRAWING NO. |
|-----|-------------|----------|---------|------|-------------|
| | CONTACT PIN | NOTE 3 | NOTE 4 | | |
| | INSULATOR | P.P. | NATURAL | | |
| | BODY | NOTE 1 | NOTE 2 | | |

UNLESS OTHERWISE SPECIFIED TOLERANCES (一般公差)

0.5~6 = ± 0.2
 >6~30 = ± 0.4
 >30~120 = ± 0.6
 >120~315 = ± 1
 >315~1000 = ± 1.6
 ANGLES(角度) = $\pm 5'$

| | | | | | | | |
|-------------------------------|-----|---------------------------------|---|----------|----|----------|--|
| PANSTRONG COMPANY LTD. | | | | DRAWN BY | | TOMMY | |
| | | | | CHECKED | | | |
| TITLE: | | F JACK TO BULKHEAD JACK ADAPTOR | | | | APPROVED | |
| PART NO: | | FF/FF02N03 | | | | DRAW NO | |
| File Number: | | | | | | | |
| SCALE | 5:1 | REV | A | UNIT | mm | | |