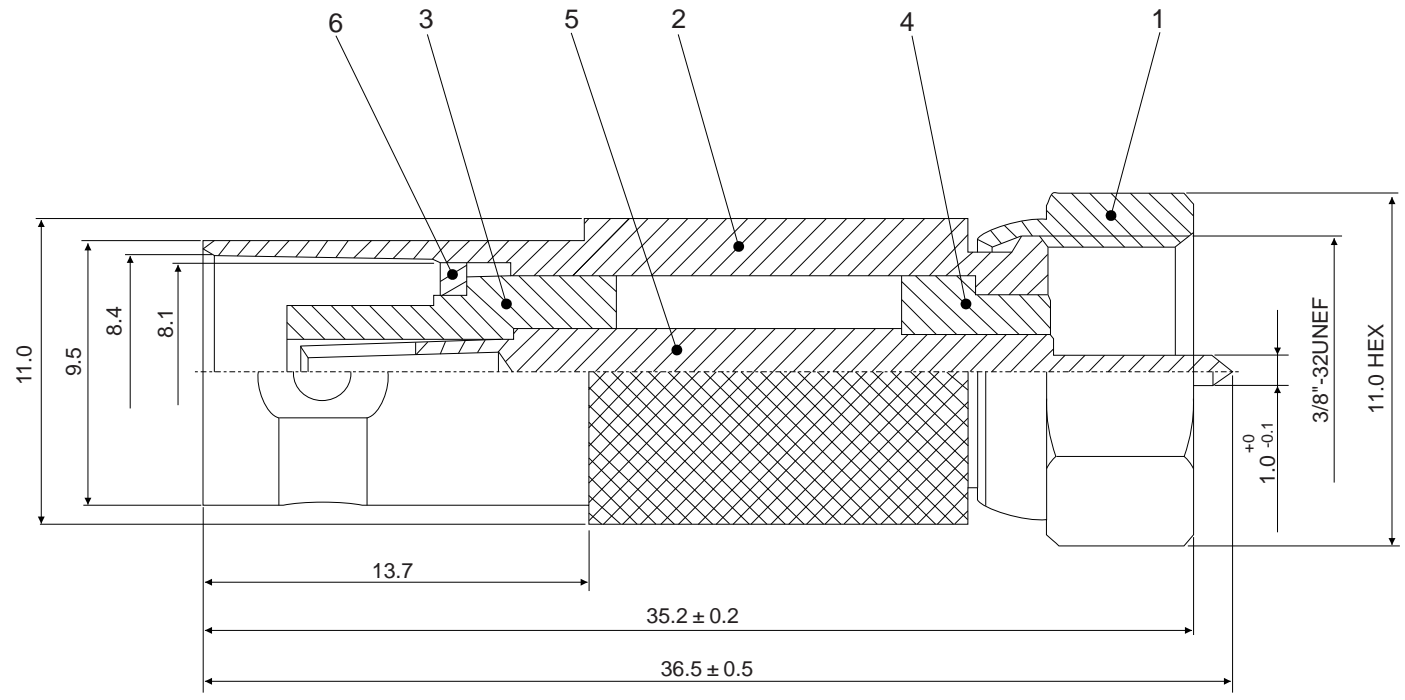



7	8	9	10	11
REV	DESCRIPTION	APPROVAL	DATE	
	新制定		07.02.05	



6	WASHER	BRASS	NICKEL	1
5	PIN	BRASS	GOLD	1
4	INSULATOR	DELIN	WHITE	1
3	INSULATOR	DELIN	WHITE	1
2	BODY	BRASS	NICKEL	1
1	SHELL	BRASS	NICKEL	1
NO	DESCRIPTION	MATERIAL	FINISH	Q'TY

 貝強實業有限公司 PANSTRONG COMPANY LTD.		DRAWN BY	TOMMY
		CHECKED	
TITLE:	F MALE TO BNC FEMALE		APPROVED
PART NO:	FM-BF02N04		DRAW NO
File Number:			
SCALE	4:1	REV	
UNIT	mm	