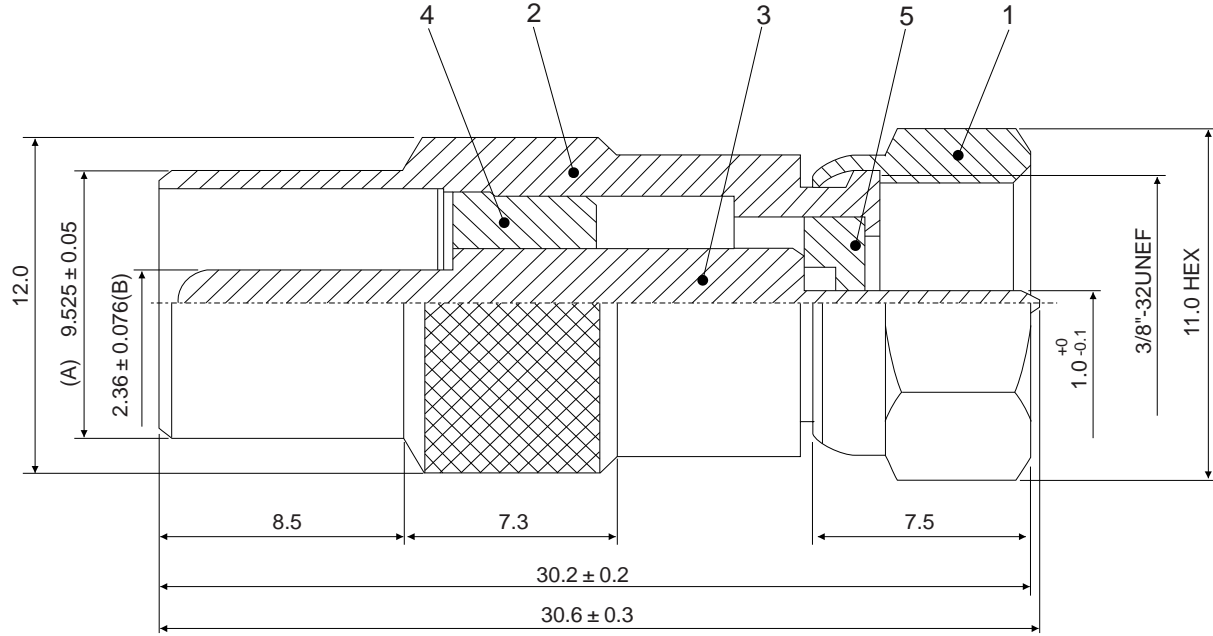



7	8	9	10	11
REV	DESCRIPTION	APPROVAL	DATE	
	新制定		07.02.05	



5	INSULATOR	DELFIN	WHITE	1
4	INSULATOR	DELFIN	WHITE	1
3	PIN	BRASS	NICKEL	1
2	BODY	BRASS	NICKEL	1
1	SHELL	BRASS	NICKEL	1
NO	DESCRIPTION	MATERIAL	FINISH	Q'TY

 <b>貝強實業有限公司</b> PANSTRONG COMPANY LTD.		DRAWN BY	TOMMY
		CHECKED	
TITLE:	F MAEL TO PAL MALE		APPROVED
PART NO:	FM-PM02N02		DRAW NO
File Number:			
SCALE	4:1	REV	UNIT mm
			