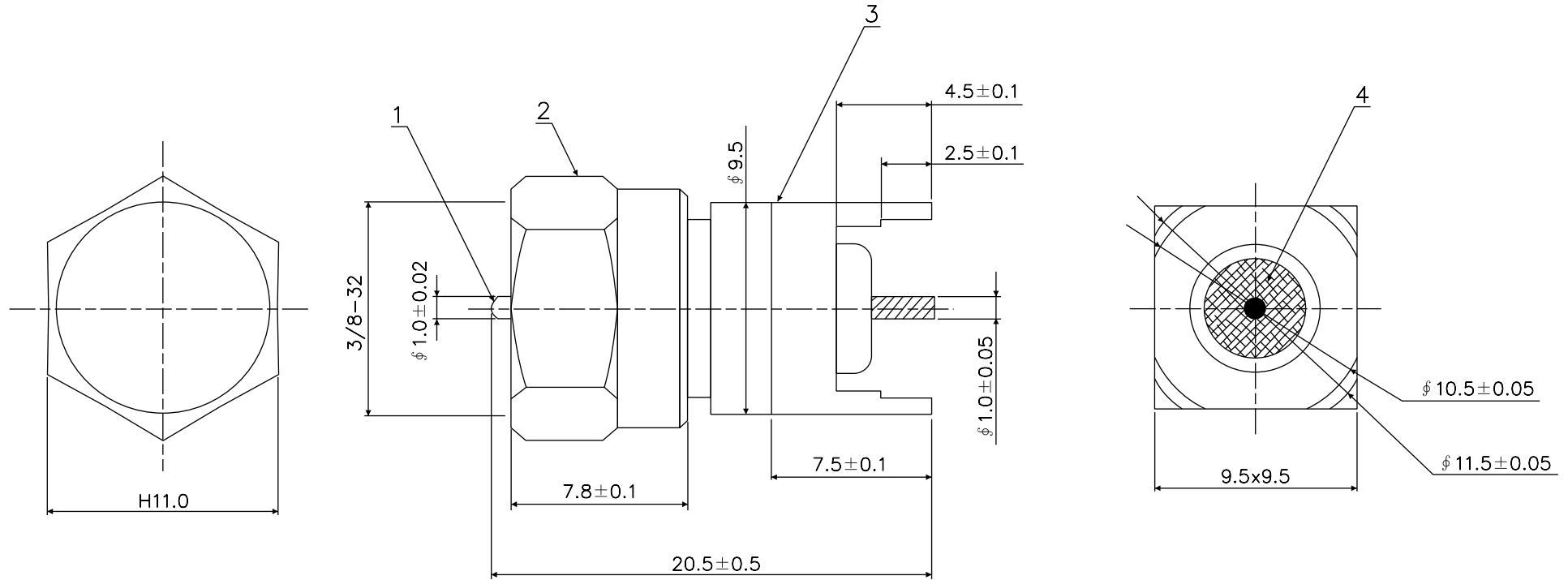


REV	DESCRIPTION	DATE
A0	Initial Release	05.09.11



4	DIELECTRIC	POM
3	FOUR CAPE BODY	Cu
2	NUT	Cu
1	PIN	Cu
ITEM	DESIGNATION	MATERIAL

TOLERANCE	
0-10	±0.05
10-100	±0.5
100-1000	±10.0
1000-10000	±100.00
10000-100000	±1000.00

PANSTRONG COMPANY LTD.				DRAWN BY	TOMMY
				CHECKED	
TITLE:		F Male PC Mount		APPROVED	
PART NO:		FM02N0310		DRAW NO	
DRAW. BOX NO:				UNIT	mm
SCALE	/	REV	A0		