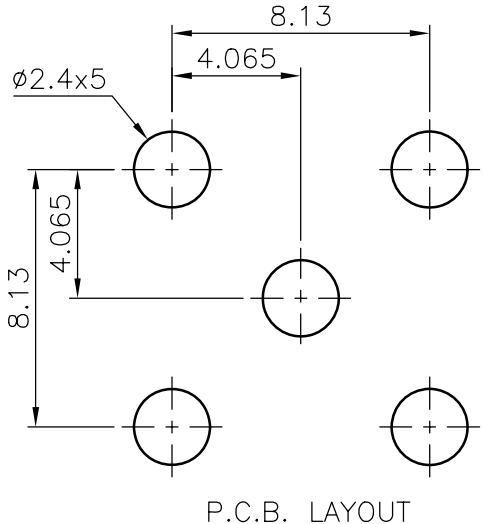
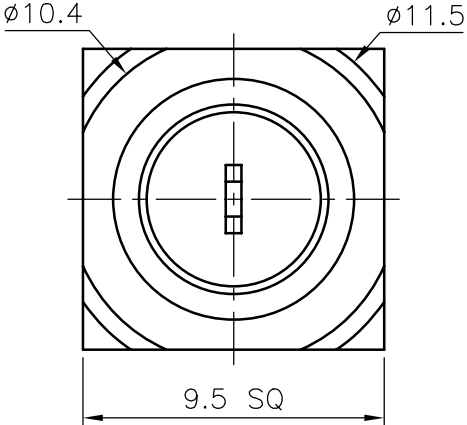
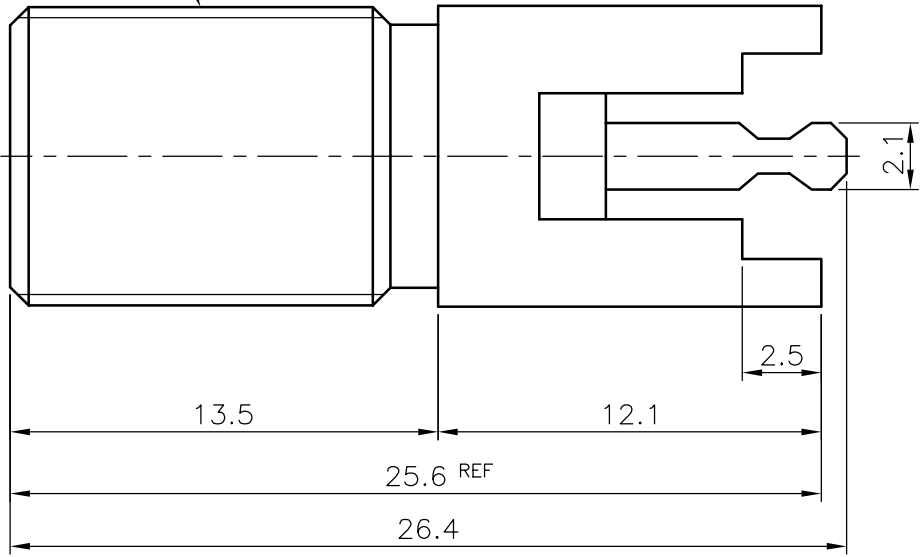


REV	DESCRIPTION	DATE
A	Initial Release	07'.04.02

REMARK: 1. CONTACT PIN IS FREE TO ROTATE
2. RoHS COMPLIANT

3/8-32UNEF-2A



INSULATOR	P.P.	WHITE
CONTACT PIN	P. BRONZE	TIN
INSULATOR	P.P.	WHITE
BODY	BRASS	NICKEL
DESCRIPTION	MATERIAL	FINISH

PANSTRONG COMPANY LTD.				DRAWN BY	TOMMY
				CHECKED	
TITLE:	F PCB MOUNT JACK			APPROVED	
PART NO:	FF02N0310S			DRAW NO	
File Number:				UNIT	mm
SCALE	4:1	REV	A		

UNLESS OTHERWISE SPECIFIED TOLERANCES

0.5~6	= ±0.2
>6~30	= ±0.4
>30~120	= ±0.6
>120~315	= ±1
>315~1000	= ±1.6
ANGLES	= ±5°