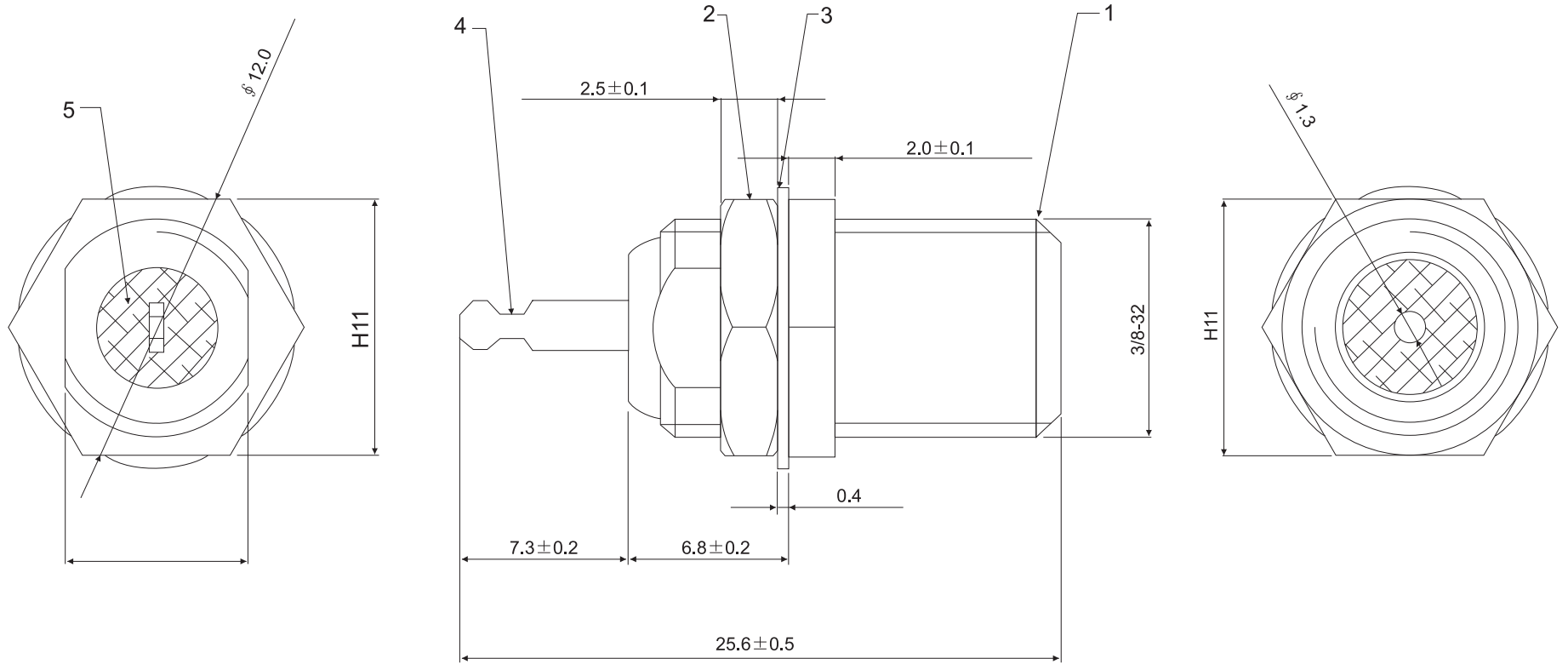


REV	DESCRIPTION	DATE
A	Initial Release	07.08.07



5	INSULATOR	PP
4	PIN	Cu
3	WASHER	Fe
2	NUT	Zu
1	BODY	Cu
ITEM	DESIGNATION	MATERIAL

TOLERANCE
0-10
10-100
100-10000
1000-100000
10000-1000000

PANSTRONG COMPANY LTD.		DRAWN BY	TOMMY
		CHECKED	
TITLE:	F-61 Chassis FEMALE		APPROVED
PART NO:	FF02N0405AE		DRAW NO
File Number:			
SCALE	1:1	REV	A
UNIT	mm		