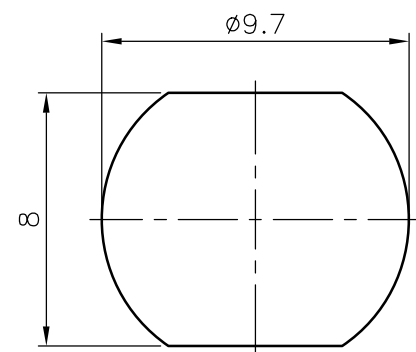
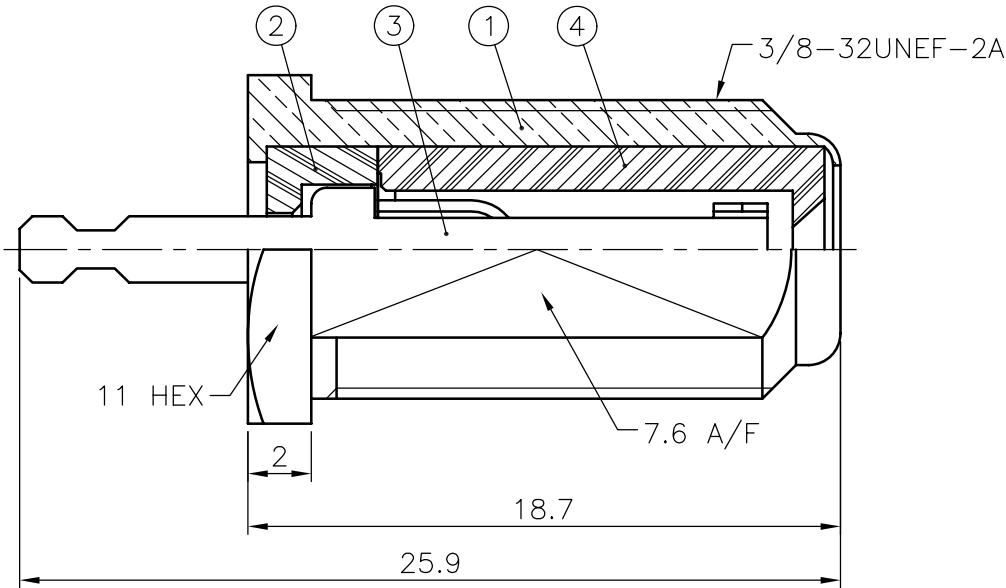


REMARK: RoHS REQUIREMENT APPLIED

REV	DESCRIPTION	DATE
A	Initial Release	07.04.03



RECOMMENDED MOUNTING HOLE

- NOTES: FINISH (PLATING THICKNESS IN MICRO-INCHES)
1. BRASS PER QQ-B-626
 2. NICKEL PL 70 MIN THICK OVER COPPER STRIKE
 3. BRIGHT TIN PL 100 MIN THICK OVER COPPER STRIKE
 4. BRASS JIS H 3100, C 2680

4	INSULATOR	P.P.	NATURAL	1
3	CONTACT PIN	NOTE 4	NOTE 3	
2	INSULATOR	P.P.	NATURAL	
1	BODY	NOTE 1	NOTE 2	1
NO.	DESCRIPTION	MATERIAL	FINISH	Q'TY

UNLESS OTHERWISE SPECIFIED TOLERANCES

0.5~6 = ±0.2
 >6~30 = ±0.4
 >30~120 = ±0.6
 >120~315 = ±1
 >315~1000 = ±1.6
 ANGLES = ±5°

PANSTRONG COMPANY LTD.		DRAWN BY	TOMMY
		CHECKED	
TITLE:	F BULKHEAD JACK		APPROVED
PART NO:	FF02N0305E		DRAW NO
File Number:			
SCALE	4:1	REV	A
UNIT	mm		