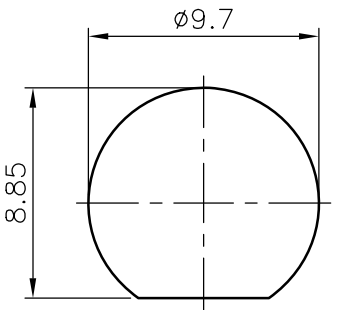
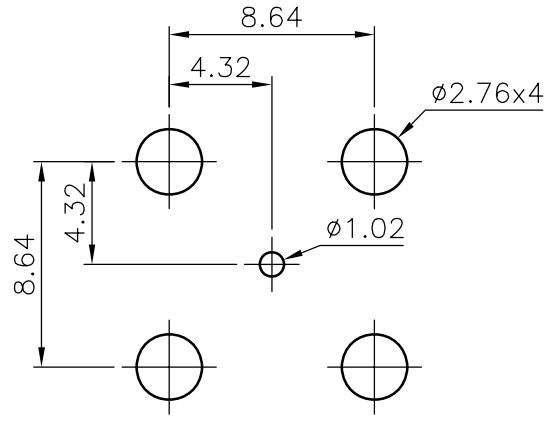


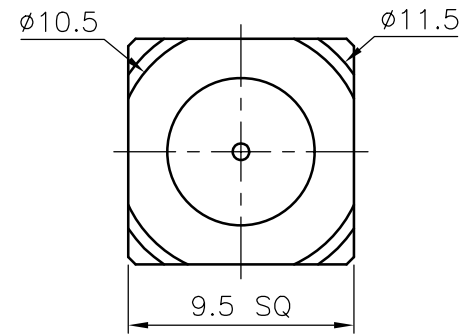
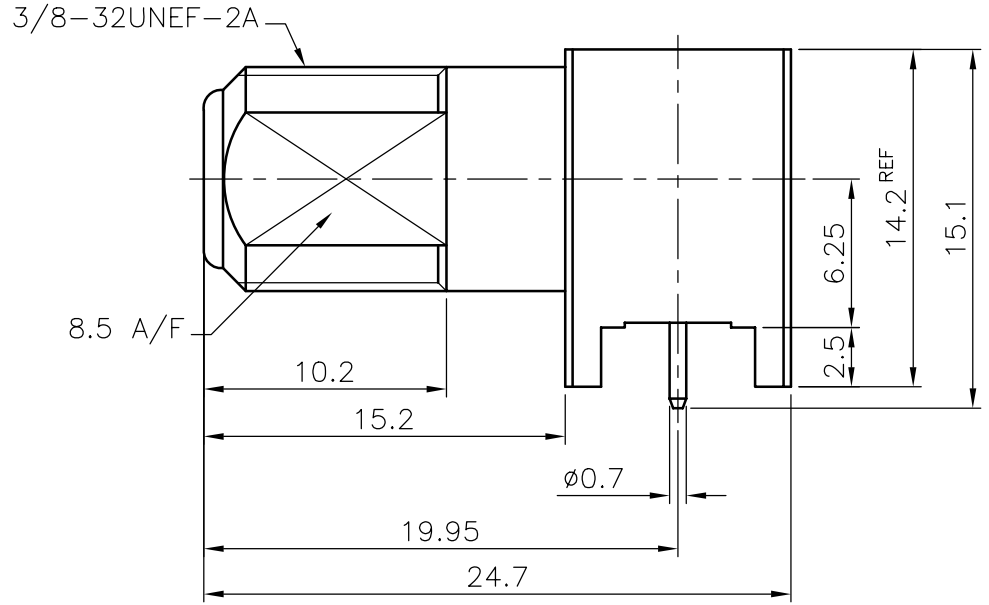
REV	DESCRIPTION	DATE
A	Initial Release	07.03.15



RECOMMENDED MOUNTING HOLE



P.C.B. LAYOUT



REMARK: RoHS COMPLIANT

CUBE BODY	BRASS	NICKEL
CONTACT PIN	BRASS	TIN
INSULATOR	P.P	WHITE
BODY	BRASS	NICKEL
DESCRIPTION	MATERIAL	FINISH

UNLESS OTHERWISE SPECIFIED TOLERANCES  
0.5-6 = ±0.2  
6-30 = ±0.4  
30-120 = ±0.6  
120-315 = ±1  
315-1000 = ±1.6  
ANGLES = ±5°

PANSTRONG COMPANY LTD.				DRAWN BY	TOMMY
				CHECKED	
TITLE:		F R/A PCB MOUNT JACK		APPROVED	
PART NO:		FF01N0310		DRAW NO	
File Number:				UNIT	mm
SCALE	3:1	REV	A		