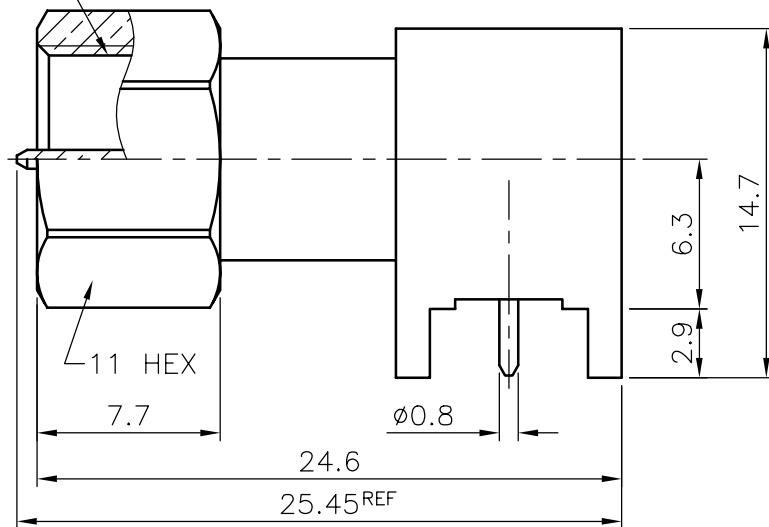


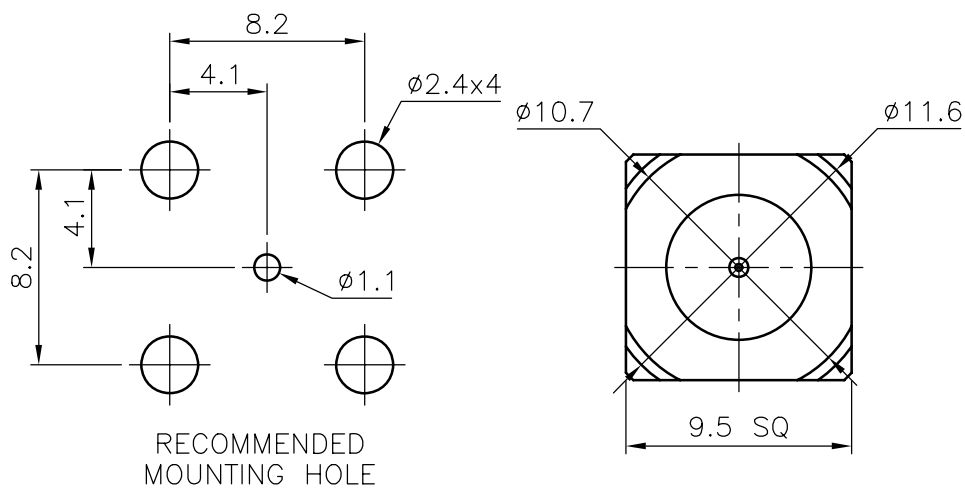
REMARK: RoHS COMPLIANT

REV	DESCRIPTION	DATE
A	Initial Release	07.03.19

3/8-32UNEF-2B



- NOTES: FINISH (PLATING THICKNESS IN MICRO-INCHES)
1. BRASS PER QQ-B-626
 2. NICKEL PL 70 MIN THICK OVER COPPER STRIKE
 3. BRIGHT TIN PL 100 MIN THICK OVER COPPER STRIKE
 4. TEFLON MIL-P-19468



INSULATOR	NOTE 4	WHITE
BODY	NOTE 1	NOTE 2
INSULATOR	NOTE 4	WHITE
CONTACT PIN	NOTE 1	NOTE 3
CUBE BODY	NOTE 1	NOTE 2
DESCRIPTION	MATERIAL	FINISH

DIMENSIONS ARE IN MILLIMETERS
UNLESS OTHERWISE SPECIFIED
TOLERANCES

0.5-6	= ±0.2
>6-30	= ±0.4
>30-120	= ±0.6
>120-315	= ±1
>315-1000	= ±1.6
ANGLES	= ±5°

PANSTRONG COMPANY LTD.				DRAWN BY		TOMMY	
				CHECKED			
TITLE:		MODIFY F R/A PCB MOUNT PLUG				APPROVED	
PART NO:		FM01N0110-FX003A				DRAW NO	
File Number:							
SCALE	3:1	REV	A	UNIT	mm		