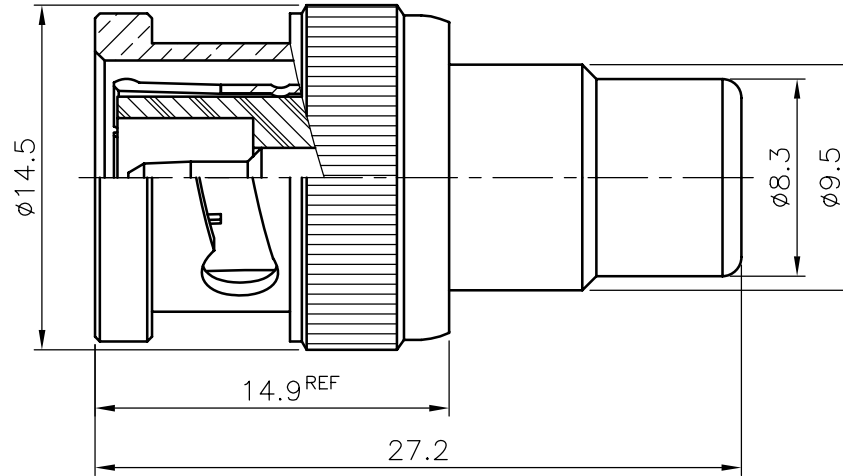


REV	DESCRIPTION	APPROVAL	DATE
A	Initial Release		07.04.27


REMARK: RoHS COMPLIANT
(符合 RoHS)



NOTES: FINISH (PLATING THICKNESS IN MICRO-INCHES)
 1. BRASS PER QQ-B-626
 2. NICKEL PL 70 MIN THICK OVER COPPER STRIKE

	SHELL	NOTE 1	NOTE 2		
	GASKET	SILICONE	RED		
	WASHER	SS41	NOTE 2		
	SPRING	SK5	NOTE 2		
	WASHER	SS41	NOTE 2		
	INSULATOR	DELIRIN	WHITE		
	CONTACT PIN	NOTE 1	NOTE 2		
	INULATOR	DELIRIN	WHITE		
	BODY	NOTE 1	NOTE 2		
NO.	DESCRIPTION	MATERIAL	FINISH	Q'TY	DRAWING NO.

UNLESS OTHERWISE SPECIFIED TOLERANCES
(一般公差)
 0.5~6 = ±0.2
 >6~30 = ±0.4
 >30~120 = ±0.6
 >120~315 = ±1
 >315~1000 = ±1.6
 ANGLES(角度) = ±5'

 貝強實業有限公司 PANSTRONG COMPANY LTD.				DRAWN BY		TOMMY	
				CHECKED			
TITLE:		BNC PLUG TO RCA JACK ADAPTOR				APPROVED	
PART NO:		BM/RF02N02				DRAW NO	
File Number:							
SCALE	3:1	REV	A	UNIT	mm	