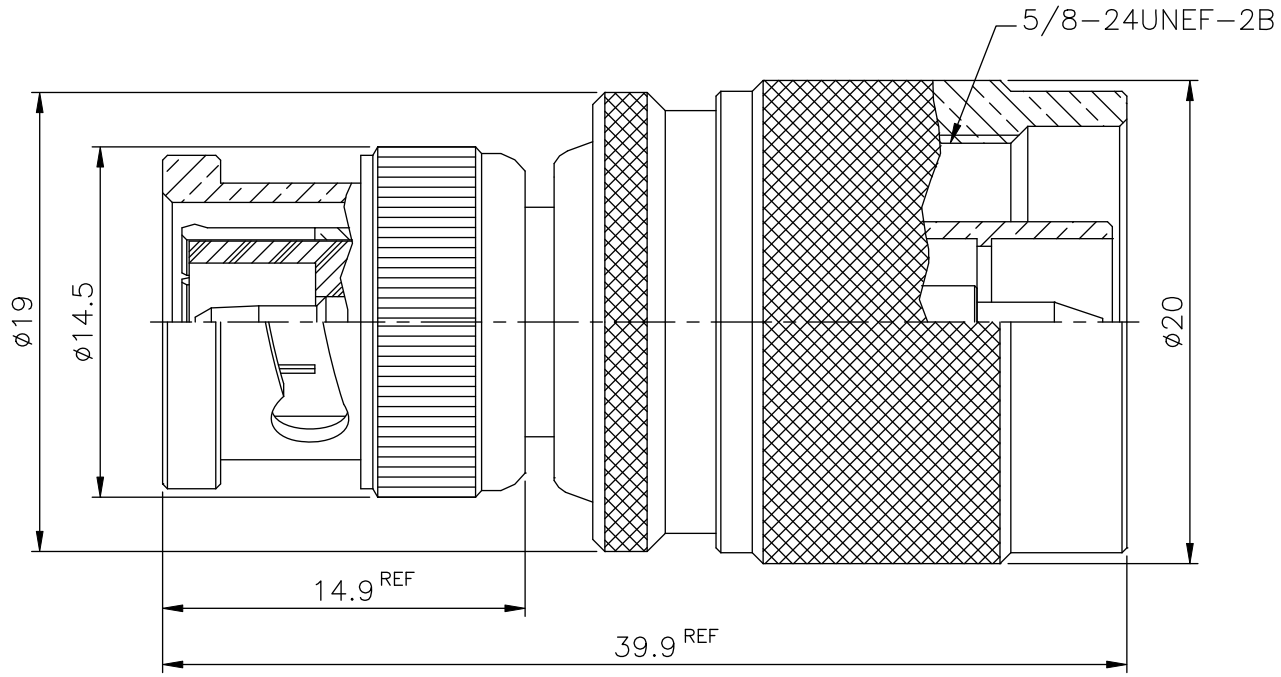


REV	DESCRIPTION	DATE
A	Initial Release	06'.10.16

FINISH (PLATING THICKNESS IN MICRO-INCHES)

1. BRASS PER QQ-B-626
2. NICKEL PL 70 MIN THICK OVER COPPER STRIKE
3. GOLD PL 3 MIN OVER NICKEL PL 70 MIN THICK OVER COPPER STRIKE
4. TEFLON MIL-P-19468

SHELL	NOTE 1	NOTE 2
GASKET	SILICONE	RED
C RING	SS41	NOTE 2
SPRING	SK5	NOTE 2
WASHER	SS41	NOTE 2
SHELL	NOTE 1	NOTE 2
GASKET	SILICONE	RED
C RING	NOTE 1	NOTE 2
BODY	NOTE 1	NOTE 2
CONTACT PIN	NOTE 1	NOTE 3
INSULATOR	NOTE 4	WHITE
BODY	NOTE 1	NOTE 2
DESCRIPTION	MATERIAL	FINISH



RoHS COMPLIANT

UNLESS OTHERWISE SPECIFIED TOLERANCES
 0.3-6 = ±0.2
 >6-30 = ±0.4
 >30-120 = ±0.6
 >120-315 = ±1
 >315-1000 = ±1.6
 ANGLES = ±5°

PANSTRONG COMPANY LTD.				DRAWN BY		TOMMY	
				CHECKED			
TITLE:		BNC PLUG to N PLUG ADAPTOR				APPROVED	
PART NO:		BM/NM02N				DRAWING NO.	
SCALE		3:1	REV	A	UNIT	mm	