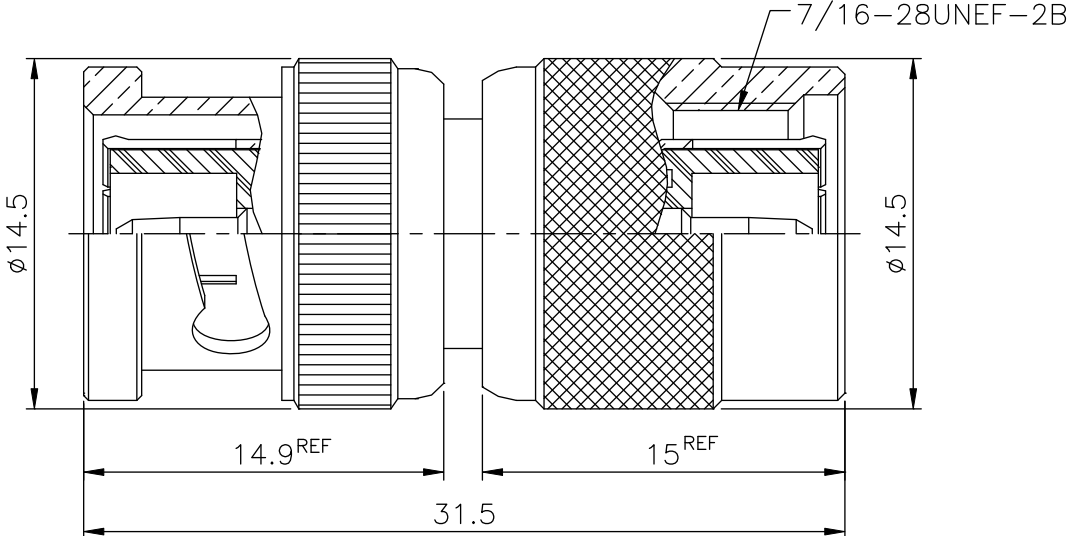


| REV | DESCRIPTION | DATE |
|-----|-----------------|-----------|
| A | Initial Release | 07'.04.03 |



FINISH (PLATING THICKNESS IN MICRO-INCHES)
 1. BRASS PER QQ-B-626
 2. NICKEL PL 70 MIN THICK OVER COPPER STRIKE
 3. GOLD PL 3 MIN OVER NICKEL PL 70 MIN THICK OVER COPPER STRIKE

| | | |
|-------------|----------|---------|
| SHELL | NOTE 1 | NOTE 2 |
| WASHER | DELTRIN | NATURAL |
| SHELL | NOTE 1 | NOTE 2 |
| GASKET | SILICONE | RED |
| C RING | SS41 | NOTE 2 |
| SPRING | SK5 | NOTE 2 |
| WASHER | SS41 | NOTE 2 |
| CONTACT PIN | NOTE 1 | NOTE 3 |
| INSULATOR | DELTRIN | WHITE |
| BODY | NOTE 1 | NOTE 2 |
| DESCRIPTION | MATERIAL | FINISH |

RoHS COMPLIANT

UNLESS OTHERWISE SPECIFIED
 TOLERANCES
 0.5-6 = ±0.2
 >6-30 = ±0.4
 >30-120 = ±0.6
 >120-315 = ±1
 >315-1000 = ±1.6
 ANGLES = ±5°

| | | | | | | | |
|------------------------|--|------------------------------|--|----------|--|-------------|--|
| PANSTRONG COMPANY LTD. | | | | DRAWN BY | | TOMMY | |
| | | | | CHECKED | | | |
| TITLE: | | BNC PLUG to TNC PLUG ADAPTOR | | | | APPROVED | |
| PART NO: | | BM/TM02N | | | | DRAWING NO. | |
| SCALE | | 3:1 | | REV | | A | |
| UNIT | | mm | | | | | |