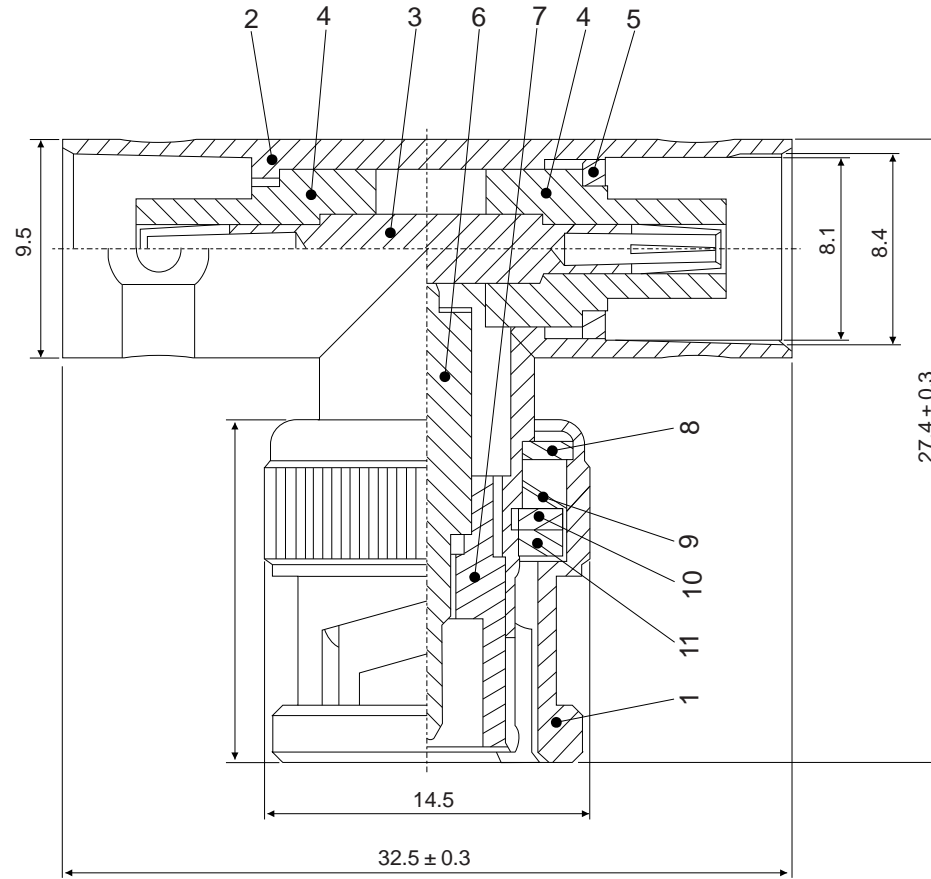


REV	DESCRIPTION	APPROVAL	DATE
	新制定		07.01.19



NO	DESCRIPTION	MATERIAL	FINISH	Q'TY
11	GASKET	RUBBER	RED	1
10	WASHER	STEEL	NICKEL	1
9	SPRING	SK-5	NICKEL	1
8	WASHER	STEEL	NICKEL	1
7	INSULATOR	DELTRIN	WHITE	1
6	PIN	BRASS	GODL	1
5	WASHER	BRASS	NICKEL	1
4	INSULATOR	DELTRIN	WHITE	1
3	PIN	BRASS	GOLD	1
2	BODY	BRASS	NICKEL	1
1	SHELL	BRASS	NICKEL	1

 貝強實業有限公司 PANSTRONG COMPANY LTD.	DRAWN BY	TOMMY
	CHECKED	
TITLE:	BNC MALE TO DOUBLE BNC FEMALE	
PART NO:	BM-BFX2TN02	
File Number:		
SCALE	3:1	REV
UNIT	mm	