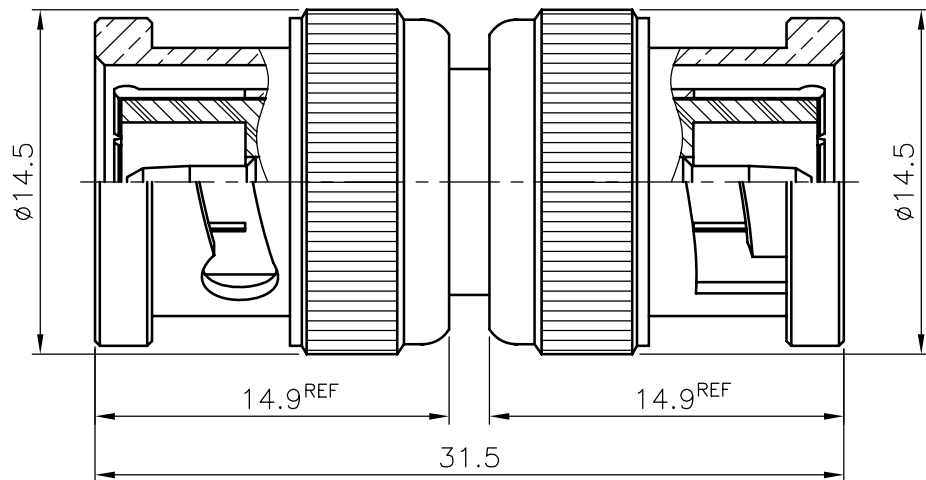


REMARK: RoHS COMPLIANT
(符合 RoHS)

REV	DESCRIPTION	APPROVAL	DATE
	新制定		07.03.07


NOTES: FINISH (PLATING THICKNESS IN MICRO-INCHES)

- BRASS PER QQ-B-626
- NICKEL PL 70 MIN THICK OVER COPPER STRIKE
- GOLD PL 3 MIN OVER NICKEL PL 70 MIN THICK OVER COPPER STRIKE



	SHELL	NOTE 1	NOTE 2		
	GASKET	RUBBER	RED		
	C RING	SS41	NOTE 2		
	SPRING	SK5	NOTE 2		
	WASHER	SS41	NOTE 2		
	CONTACT PIN	NOTE 1	NOTE 3		
	INSULATOR	DELTRIN	WHITE		
	BODY	NOTE 1	NOTE 2		
NO.	DESCRIPTION	MATERIAL	FINISH	Q'TY	DRAWING NO.

UNLESS OTHERWISE SPECIFIED
TOLERANCES
(一般公差)
0.5~6 = ±0.2
>6~30 = ±0.4
>30~120 = ±0.6
>120~315 = ±1
>315~1000 = ±1.6
ANGLES(角度) = ±5'

 貝強實業有限公司 PANSTRONG COMPANY LTD.		DRAWN BY		TOMMY		
		CHECKED				
TITLE:		BNC PLUG TO PLUG ADAPTOR		APPROVED		
PART NO:		BM/BM02N02		DRAW NO		
File Number:						
SCALE	3:1	REV		UNIT	mm	