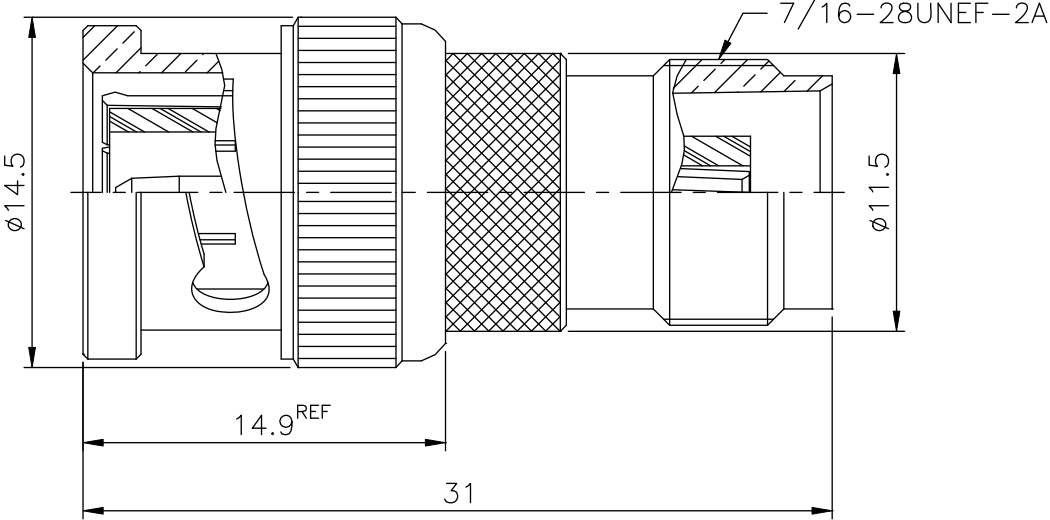


REV	DESCRIPTION	DATE
A	Initial Release	07'.04.03

FINISH (PLATING THICKNESS IN MICRO-INCHES)
 1. BRASS PER QQ-B-626
 2. NICKEL PL 70 MIN THICK OVER COPPER STRIKE
 3. GOLD PL 3 MIN OVER NICKEL PL 70 MIN THICK OVER COPPER STRIKE
 4. TEFLON MIL-P-19468
 5. PHOSPHOR BRONZE PER QQ-B-750



SHELL	NOTE 1	NOTE 2
GASKET	SILICONE	RED
C RING	SS41	NOTE 2
SPRING	SK5	NOTE 2
WASHER	SS41	NOTE 2
INSULATOR	NOTE 4	WHITE
CONTACT PIN	NOTE 5	NOTE 3
INSULATOR	NOTE 4	WHITE
BODY	NOTE 1	NOTE 2
DESCRIPTION	MATERIAL	FINISH

RoHS COMPLIANT

UNLESS OTHERWISE SPECIFIED TOLERANCES
0.5-4 = ±0.2
>4-20 = ±0.4
>30-120 = ±0.6
>120-315 = ±1
>315-1000 = ±1.6
ANGLES = ±5°

PANSTRONG COMPANY LTD.		DRAWN BY		TOMMY		
		CHECKED				
TITLE:		BNC PLUG to TNC JACK ADAPTOR		APPROVED		
PART NO:		BM/TF02N		DRAWING NO.		
SCALE	3:1	REV	A	UNIT	mm	