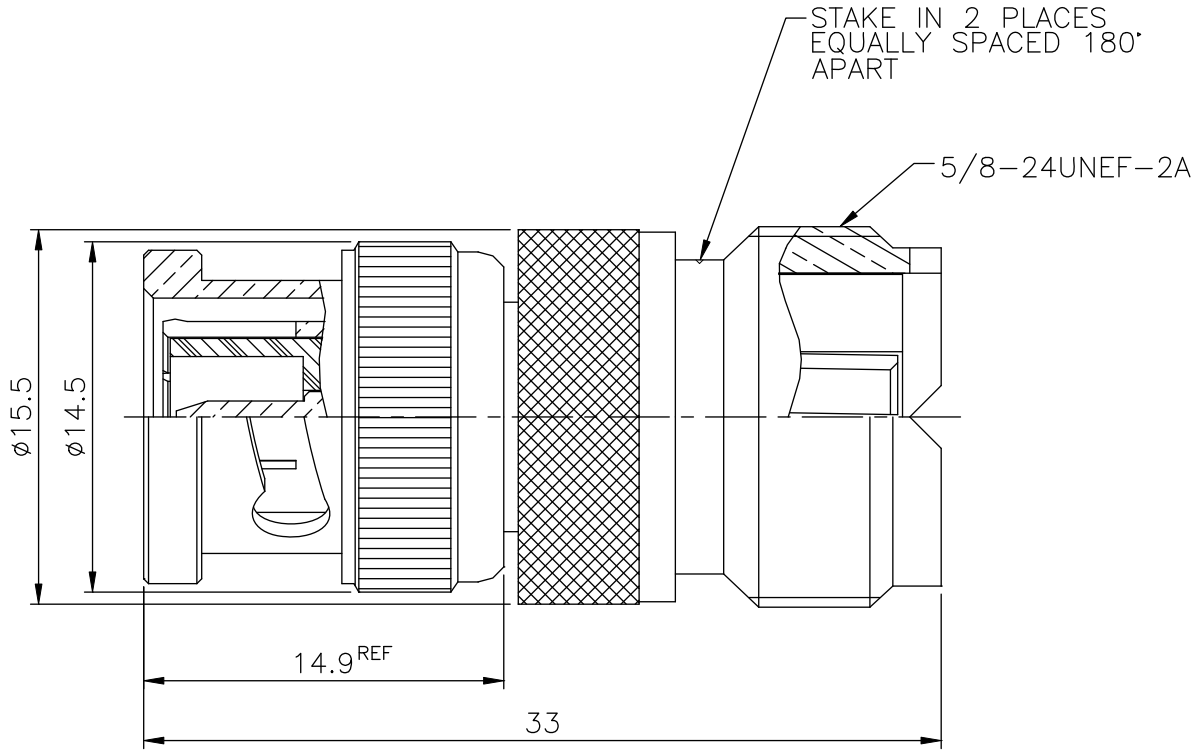


REV	DESCRIPTION	DATE
A	Initial Release	07'.04.03



FINISH (PLATING THICKNESS IN MICRO-INCHES)
 1. BRASS PER QQ-B-626
 2. NICKEL PL 70 MIN THICK OVER COPPER STRIKE
 3. GOLD FLUSH OVER NICKEL PL 70 MIN THICK OVER COPPER STRIKE

SHELL	NOTE 1	NOTE 2
GASKET	SILICONE	RED
C RING	SS41	NOTE 2
SPRING	SK5	NOTE 2
WASHER	SS41	NOTE 2
INSULATOR	DELRIN	WHITE
CONTACT PIN	NOTE 1	NOTE 3
INSULATOR	DELRIN	NATURAL
BODY	NOTE 1	NOTE 2
BODY	NOTE 1	NOTE 2
DESCRIPTION	MATERIAL	FINISH

RoHS COMPLIANT

UNLESS OTHERWISE SPECIFIED
 TOLERANCES
 0.3-6 = ±0.2
 >6-30 = ±0.4
 >30-120 = ±0.6
 >120-315 = ±1
 >315-1000 = ±1.6
 ANGLES = 85°

PANSTRONG COMPANY LTD.				DRAWN BY		TOMMY	
				CHECKED			
TITLE:		BNC PLUG to UHF JACK ADAPTOR				APPROVED	
PART NO:		BM/UF02N				DRAWING NO.	
SCALE		3:1		REV		A	
UNIT		mm					