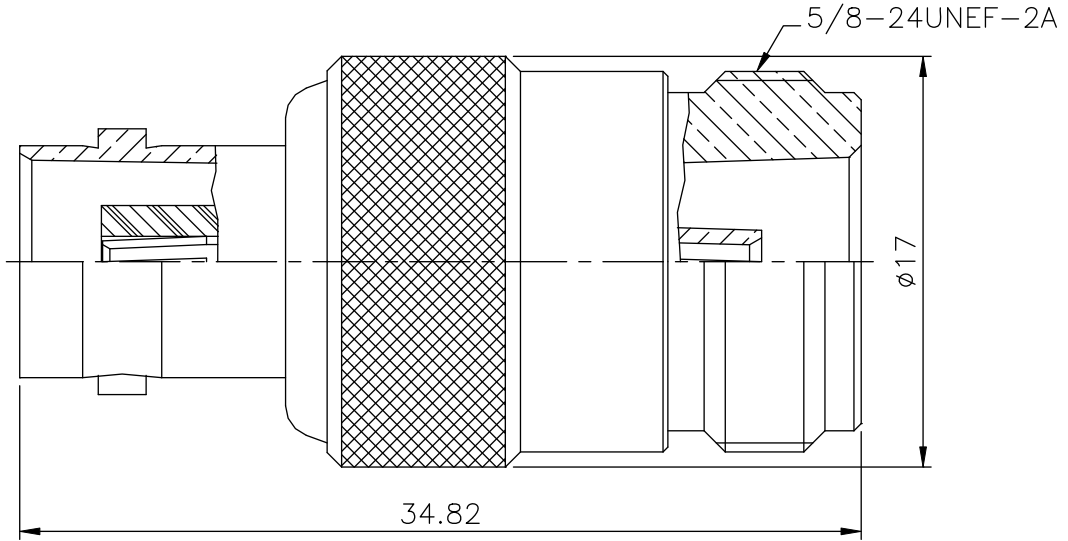


REMARK: RoHS COMPLIANT

REV	DESCRIPTION	DATE
A1	Initial Release	06.10.16




- FINISH (PLATING THICKNESS IN MICRO-INCHES)
1. BRASS PER QQ-B-626
 2. NICKEL PL 70 MIN THICK OVER COPPER STRIKE
 3. GOLD PL 3 MIN OVER NICKEL PL 70 MIN THICK OVER COPPER STRIKE
 4. TEFLON MIL-P-19468
 5. PHOSPHOR BRONZE PER QQ-B-750

BODY	NOTE 1	NOTE 2
CONTACT PIN	NOTE 5	NOTE 3
INSULATOR	NOTE 4	WHITE
BODY	NOTE 1	NOTE 2
DESCRIPTION	MATERIAL	FINISH

UNLESS OTHERWISE SPECIFIED TOLERANCES

0.5~6	= ±0.2
>6~30	= ±0.4
>30~120	= ±0.6
>120~315	= ±1
>315~1000	= ±1.6
ANGLES	= ±5°

 PANSTRONG COMPANY LTD.				DRAWN BY		TOMMY	
				CHECKED			
TITLE:		BNC JACK TO N JACK ADAPTOR				APPROVED	
PART NO:		BF/NF02N				DRAW NO	
File Number:							
SCALE	3:1	REV	A1	UNIT	mm	