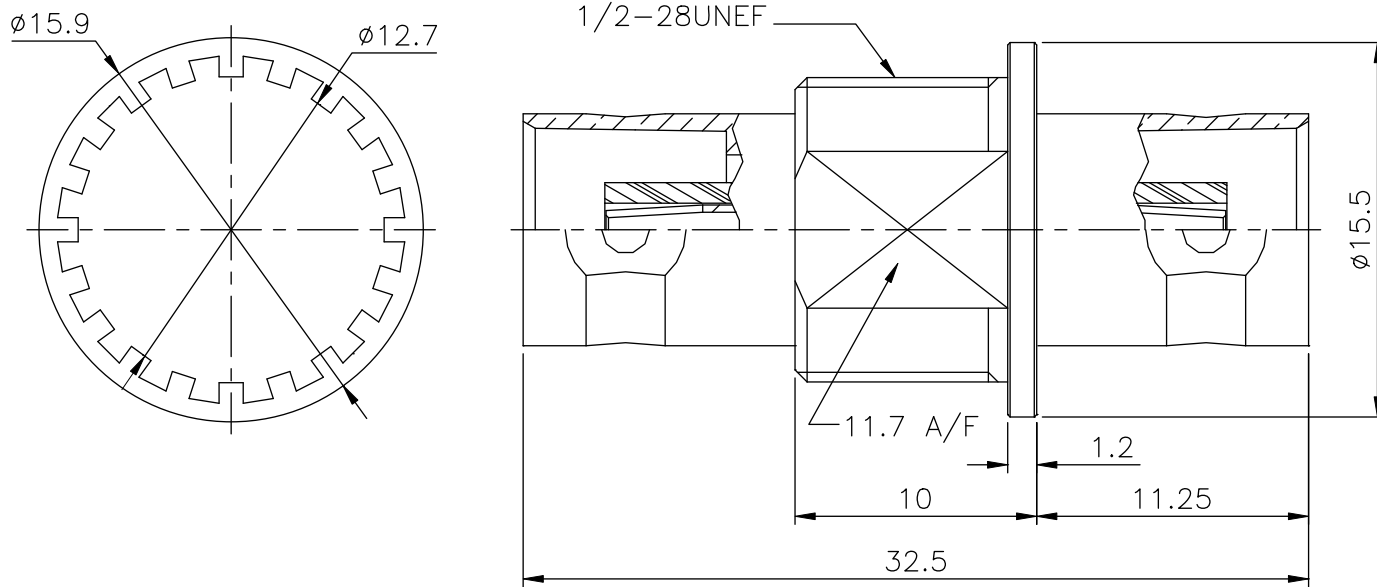


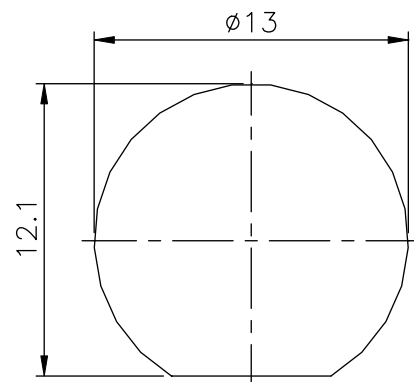
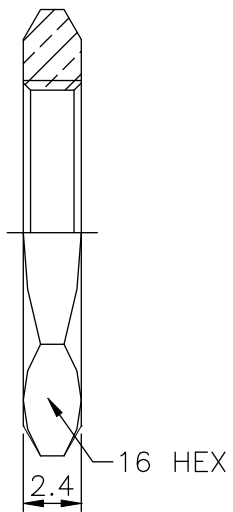
REV	DESCRIPTION	DATE
A1	Initial Release	07'03.30

REMARK: RoHS COMPLIANT



- FINISH (PLATING THICKNESS IN MICRO-INCHES)
1. BRASS PER QQ-B-626
 2. NICKEL PL 70 MIN THICK OVER COPPER STRIKE
 3. GOLD PL 3 MIN OVER NICKEL PL 70 MIN THICK OVER COPPER STRIKE
 4. PHOSPHOR BRONZE PER QQ-B-750

DESCRIPTION	MATERIAL	FINISH
NUT	NOTE 1	NOTE 2
WASHER	SS41	NOTE 2
LOCK RING	NOTE 1	NOTE 2
CONTACT PIN	NOTE 4	NOTE 3
INSULATOR	DELIN	WHITE
MAIN BODY	DELIN	WHITE
	NOTE 1	NOTE 2



RECOMMENDED MOUNTING HOLE

1. MAX. PANEL THICKNESS=5.2mm

UNLESS OTHERWISE SPECIFIED TOLERANCES	
0.5~6	= ±0.2
>6~30	= ±0.4
>30~120	= ±0.6
>120~315	= ±1
>315~1000	= ±1.6
ANGLES	= ±5°

PANSTRONG COMPANY LTD.				DRAWN BY		TOMMY	
				CHECKED			
TITLE:		BNC ISOLATED BULKHEAD JACK TO JACK ADAPTOR				APPROVED	
PART NO:		BF/BF02N0205				DRAW NO	
File Number:							
SCALE	3:1	REV	A1	UNIT	mm		