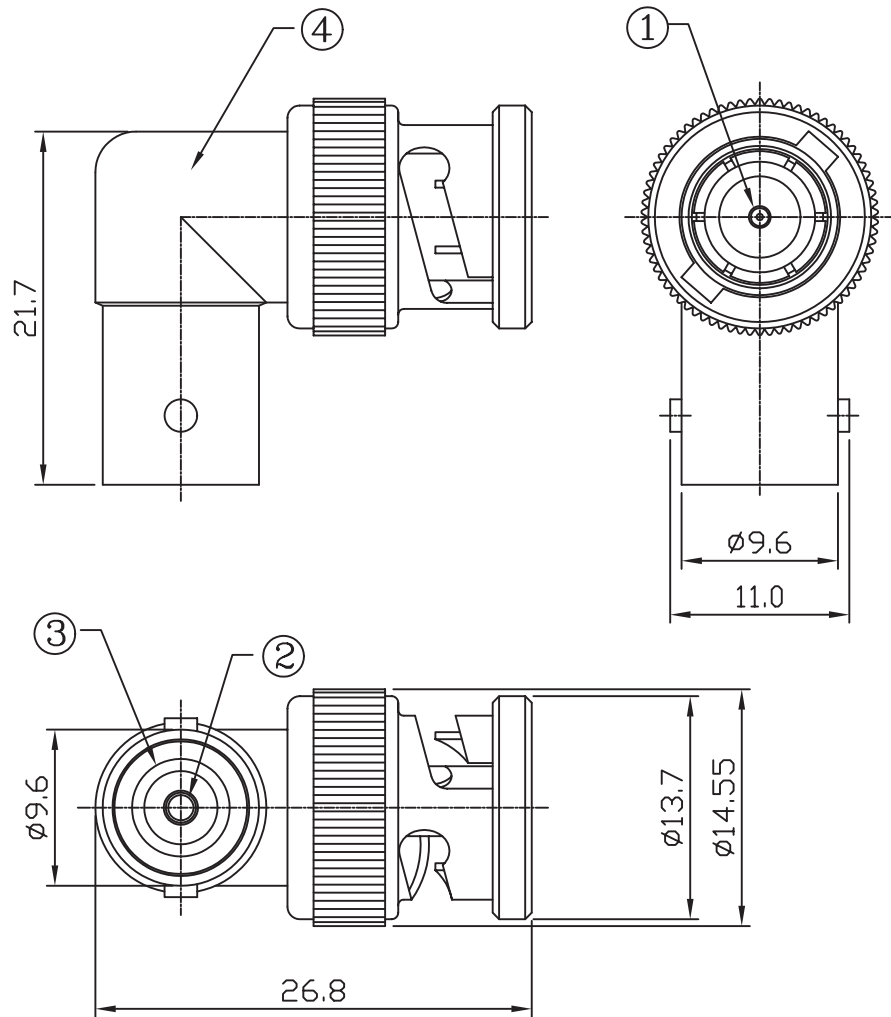


REV	DESCRIPTION	DATE
A	Initial Release	04'.01.13



MATERIAL & FINISH

- ① MALE CONTACT: BRASS / GOLD PLATED
- ② FEMALE CONTACT: P.BRONZE / GOLD PLATED
- ③ INSULATOR : PE-606
- ④ BODY: ZINC ALLOY /NICKEL PLATED

SPECIFICATION

IMPEDANCE : 50 OHMS.
 VOLTAGE RATING : 500 V RMS.
 FREQUENCY RANGE : 0~4 GHz

Tolerances	
X.	±0.5
X.X	±0.3
X.XX	±0.2

PANSTRONG COMPANY LTD.				DRAWN BY		TOMMY	
				CHECKED			
TITLE:		75 ohm BNC "L" TYPE ADAPTOR				APPROVED	
PART NO:		BM/BF01N				DRAWING NO.	
SCALE		2:1	REV	A	UNIT	mm	