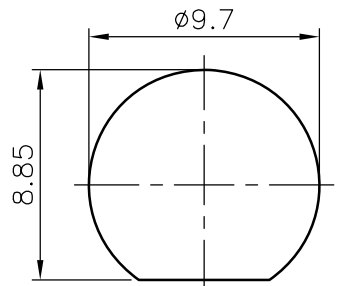
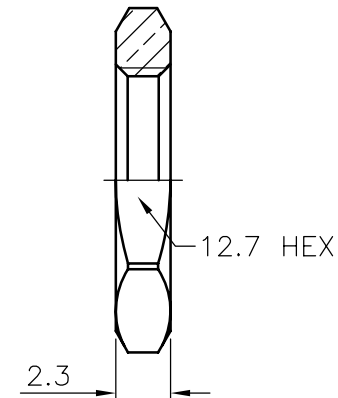
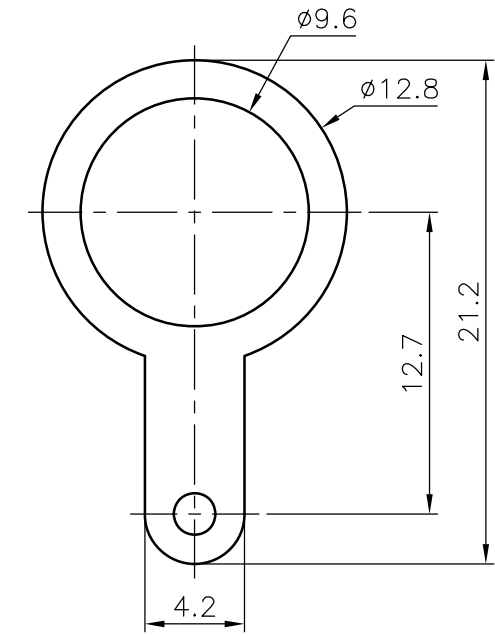
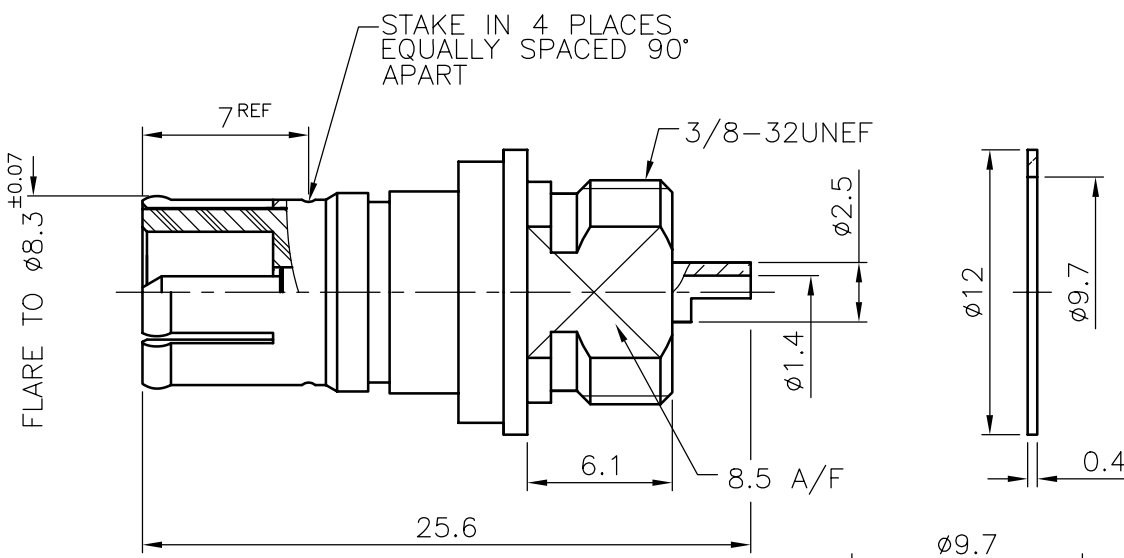


REV	DESCRIPTION	DATE
A	Initial Release	07.07.18



RECOMMENDED MOUNTING HOLE

1. MAX. PANEL THICKNESS=3mm

- FINISH (PLATING THICKNESS IN MICRO-INCHES)
- BRASS PER QQ-B-626
  - NICKEL PL 70 MIN THICK OVER COPPER STRIKE
  - GOLD FLUSH OVER NICKEL PL 70 MIN THICK OVER COPPER STRIKE

DESCRIPTION	MATERIAL	FINISH
NUT	NOTE 1	NOTE 2
TAG	SS41	NOTE 2
WASHER	SS41	NOTE 2
INSULATOR	DELIN	WHITE
CONTACT PIN	NOTE 1	NOTE 3
INSULATOR	DELIN	WHITE
BODY	NOTE 1	NOTE 2

RoHS COMPLIANT

UNLESS OTHERWISE SPECIFIED TOLERANCES
0.5-0 = ±0.2
>0.5-10 = ±0.4
>10-120 = ±0.6
>120-315 = ±1
>315-1000 = ±1.6
ANGLES = ±5°

				DRAWN BY		TOMMY	
				CHECKED			
TITLE:				BNC BULKHEAD RECEIPT PLUG			
PART NO:				BM02N0205			
SCALE		3:1		REV		A	
UNIT		mm		APPROVED		DRAWING NO.	