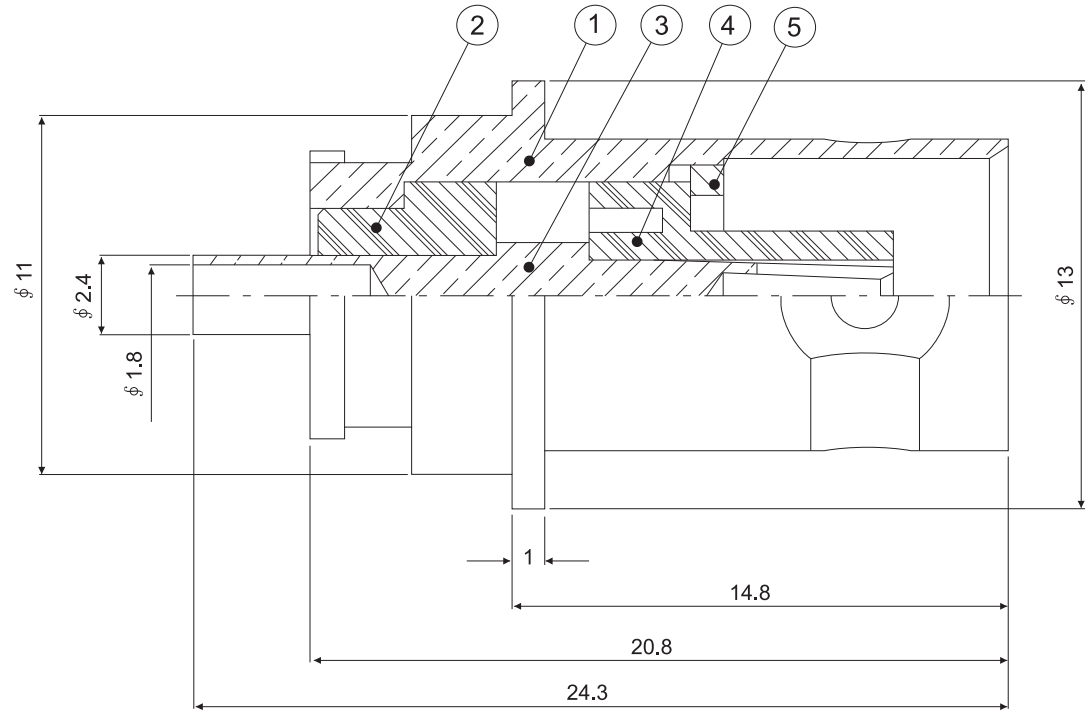
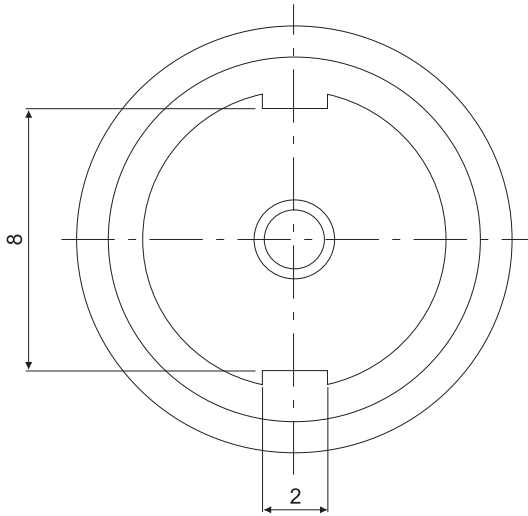



REV	DESCRIPTION	DATE
A	Initial Release	07.05.31



NOTES:FINISH (PLATING THICKNESS IN MICRO-INCHES)  
 1.BRASS PER QQ-B-626  
 2.NICKEL PL 70 MIN THICK OVER COPPER STRIKE  
 3.GOLD PL FLUSH OVER NICKEL PL 70 MIN THICK OVER COPPER STRIKE

5	LOCK RING	NOTE 1	NOTE 2	1
4	INSULATOR	DELRIN	WHITE	1
3	CONTACT PIN	NOTE 1	NOTE 3	1
2	INSULATOR	DELRIN	WHITE	1
1	BODY	NOTE 1	NOTE 2	1

ROHS COMPLIANT

 <b>PANSTRONG COMPANY LTD.</b>		DRAWN BY	TOMMY
		CHECKED	
TITLE:	BNC RECEPT JACK(50 ohms)	APPROVED	
PART NO:	BF02N02017E	DRAW NO	
File Number:			
SCALE	/	REV	A
		UNIT	mm
		