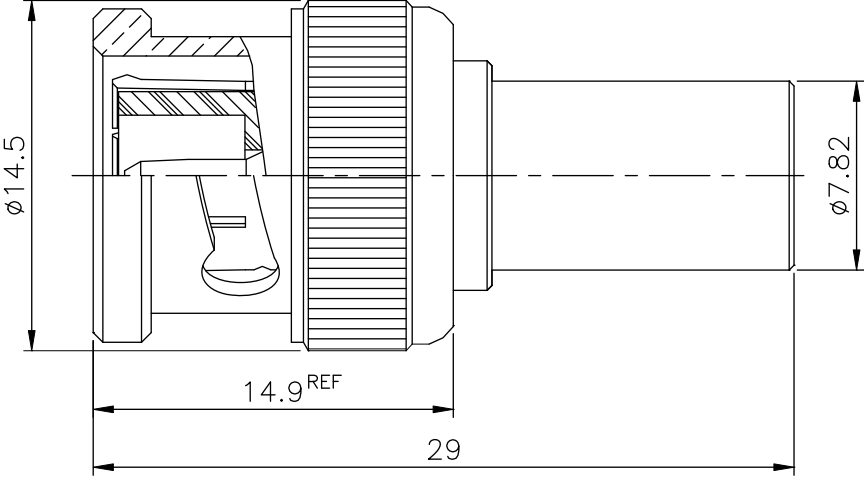


REV	DESCRIPTION	DATE
A	Initial Release	06'.10.31

FINISH (PLATING THICKNESS IN MICRO-INCHES)
 1. BRASS PER QQ-B-626
 2. NICKEL PL 70 MIN THICK OVER COPPER STRIKE
 3. GOLD PL 3 MIN OVER NICKEL PL 70 MIN THICK OVER COPPER STRIKE



SHELL	NOTE 1	NOTE 2
GASKET	SILICONE	RED
C RING	SS41	NOTE 2
SPRING	SK5	NOTE 2
WASHER	SS41	NOTE 2
COVER	NOTE 1	NOTE 2
RESISTOR	50 ohms ±1% ,1/2W	
CONTACT PIN	NOTE 1	NOTE 3
INSULATOR	DELTRIN	WHITE
BODY	NOTE 1	NOTE 2
DESCRIPTION	MATERIAL	FINISH

1. CRIMPED CONTACT PIN
 HEX CRIMP SIZE .068" (1.72mm)

RoHS COMPLIANT

UNLESS OTHERWISE SPECIFIED TOLERANCES:
0.5-6 = ±0.2
>6-30 = ±0.4
>30-120 = ±0.6
>120-315 = ±1
>315-1000 = ±1.6
ANGLES = ±5°

PANSTRONG COMPANY LTD.				DRAWN BY		TOMMY	
				CHECKED			
TITLE: BNC TERMINATOR W/O CHAIN PLUG (50 ohms ±1%, 1/2 W)				APPROVED			
				DRAWING NO.			
PART NO: BM02N02TM				UNIT	mm		
SCALE	3:1	REV	A				