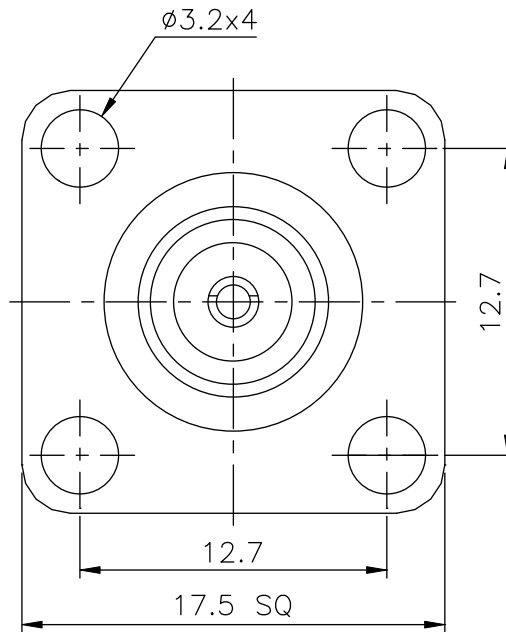
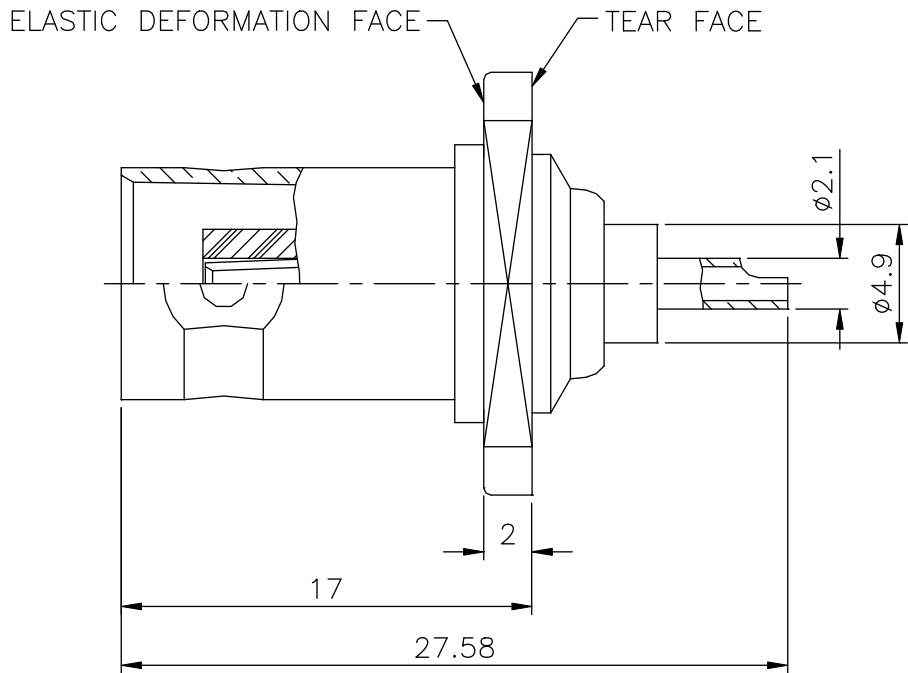


REMARK: RoHS COMPLIANT



- FINISH (PLATING THICKNESS IN MICRO-INCHES)
1. BRASS PER QQ-B-626
 2. NICKEL PL 70 MIN THICK OVER COPPER STRIKE
 3. GOLD PL FLUSH OVER NICKEL PL 70 MIN THICK OVER COPPER STRIKE
 4. PHOSPHOR BRONZE PER QQ-B-750

CONTACT PIN	NOTE 4	NOTE 3
INSULATOR	DELTRIN	NATURAL
PANEL	NOTE 1	NOTE 2
BODY	NOTE 1	NOTE 2
DESCRIPTION	MATERIAL	FINISH

UNLESS OTHERWISE SPECIFIED TOLERANCES

0.5~6	= ±0.2
>6~30	= ±0.4
>30~120	= ±0.6
>120~315	= ±1
>315~1000	= ±1.6
ANGLES	= ±5°

REV	DESCRIPTION	DATE
A1	Initial Release	06'.08.29

PANSTRONG COMPANY LTD.				DRAWN BY		TOMMY	
				CHECKED			
TITLE:		BNC PANEL RECEIPT JACK				APPROVED	
PART NO:		BF02N0204				DRAW NO	
File Number:							
SCALE	3:1	REV	A1	UNIT	mm		