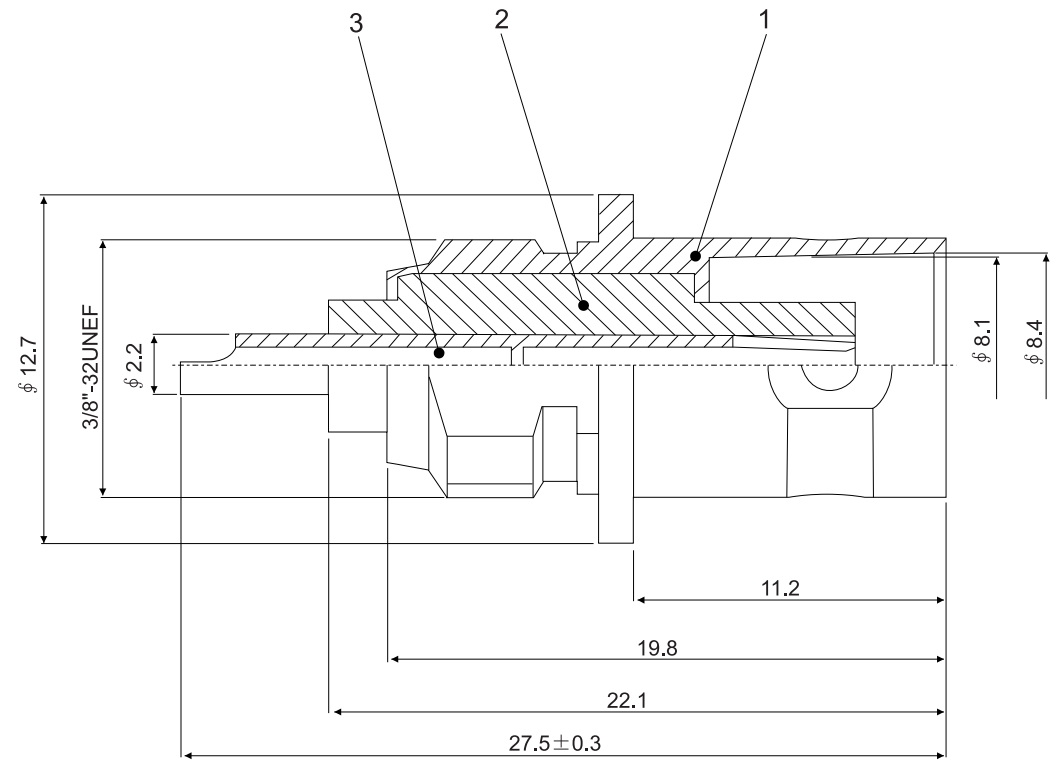
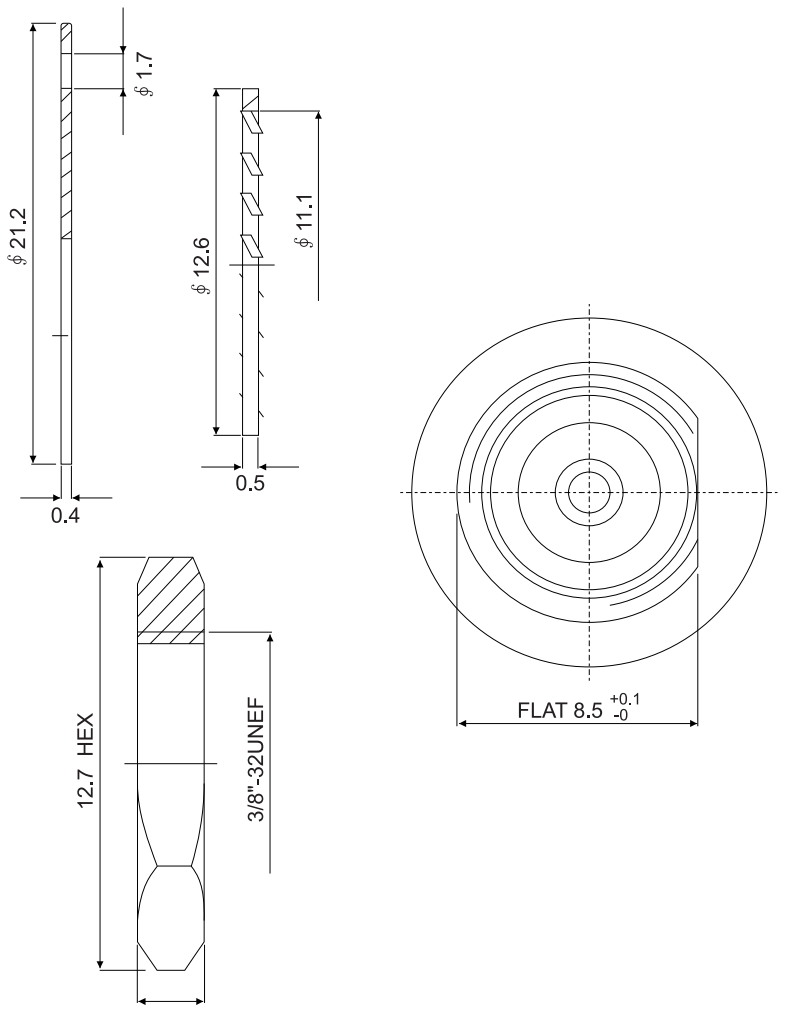


REV	DESCRIPTION	DATE
A	Initial Release	06.08.04



6	NUT	BRASS	NICKEL	1
5	GROUND RING	STEEL	NICKEL	1
4	WASHER	STEEL	NICKEL	1
3	PIN PHOSPHOR	BRONZE	GOLD	1
2	INSULATOR	DELTRIN	WHITE	1
1	BODY	BRASS	NICKEL	1
NO	DESCRIPTION	MATERIAL	FINISH	Q'TY

ROHS COMPLIANT

PANSTRONG COMPANY LTD.				DRAWN BY		TOMMY	
				CHECKED			
TITLE:		BNC FEMALE BULKHEAD				APPROVED	
PART NO:		BF02N0205E				DRAW NO	
DRAW. BOX NO:							
SCALE	4:1	REV	A	UNIT	mm		