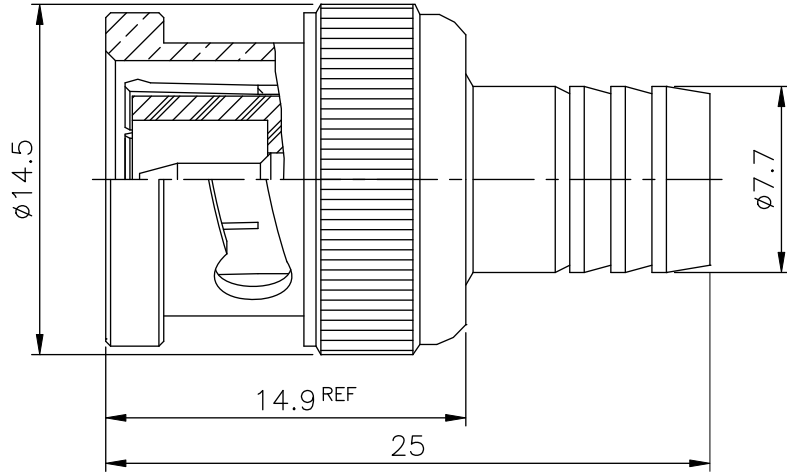
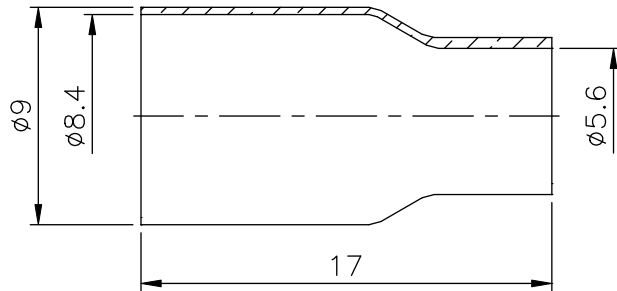


REV	DESCRIPTION	DATE
A	Initial Release	06'.08.23




- FINISH (PLATING THICKNESS IN MICRO-INCHES)
1. BRASS PER QQ-B-626
 2. NICKEL PL 70 MIN THICK OVER COPPER STRIKE
 3. GOLD PL FLUSH OVER NICKEL PL 70 MIN THICK OVER COPPER STRIKE
 4. BRASS JIS H 3250, C 2700

FERRULE	NOTE 4	NOTE 2
SHELL	NOTE 1	NOTE 2
GASKET	SILICONE	RED
WASHER	SS41	NOTE 2
C RING	SK5	NOTE 2
WASHER	SS41	NOTE 2
INSULATOR	DELRIN	NATURAL
CONTACT PIN	NOTE 1	NOTE 3
INSULATOR	P.P.	WHITE
BODY	NOTE 1	NOTE 2
DESCRIPTION	MATERIAL	FINISH



RoHS COMPLIANT

UNLESS OTHERWISE SPECIFIED TOLERANCES	
0.5-6	= ±0.2
>6-30	= ±0.4
>30-120	= ±0.6
>120-315	= ±1
>315-1000	= ±1.6
ANGLES	= ±5°

 PANSTRONG COMPANY LTD.				DRAWN BY		TOMMY	
				CHECKED			
TITLE:		BNC QUICK CRIMP PLUG (FOR RG-58/U)				APPROVED	
PART NO:		BM02N0211-2				DRAWING NO.	
SCALE		3:1		REV	A	UNIT	mm
						