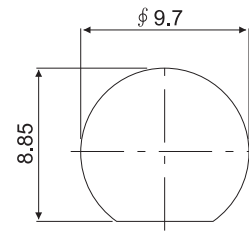
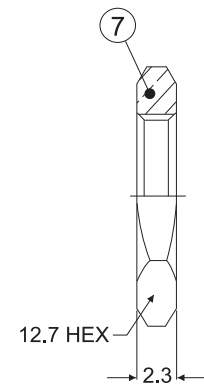
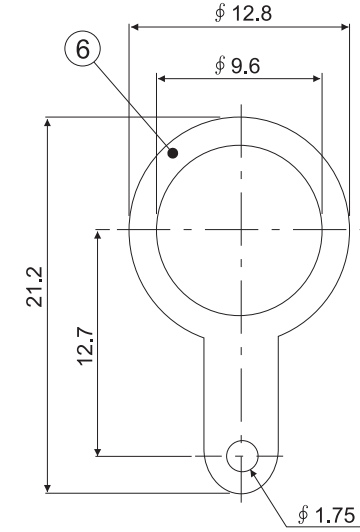
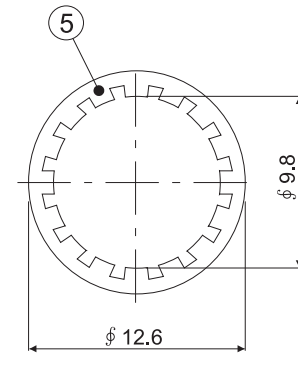
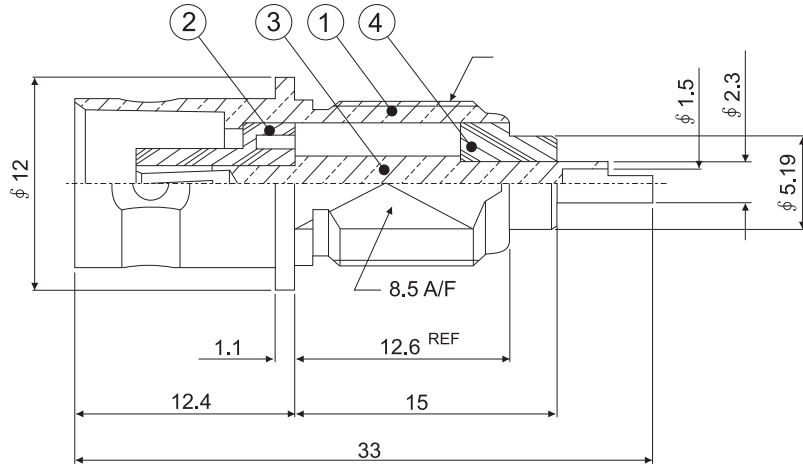



REV	DESCRIPTION	DATE
A	Initial Release	07.05.29



FINISH(PLATING THICKNESS IN MICRO-INCHES)
 1.BRASS PER QQ-B-626
 2.NICKEL PL 70 MIN THICK OVER COPPER STRIKE
 3.GOLD FLUSH OVER NICKEL PL 70 MIN THICK OVER COPPER STRIKE

7	NUT	NOTE 1	NOTE 2	1
6	TAG	SS41	NOTE 2	1
5	WASHER	SS41	NOTE 2	1
4	INSULATOR	DELIRIN	WHITE	1
3	CONTACT PIN	NOTE 1	NOTE 3	1
2	INSULATOR	DELIRIN	WHITE	1
1	BODY	NOTE 1	NOTE 2	1
NO	DESCRIPTION	MATERIAL	FINISH	Q'TY

ROHS COMPLIANT

 PANSTRONG COMPANY LTD.				DRAWN BY	TOMMY
				CHECKED	
TITLE:		BNC BULKHEAD RECEPT JACK		APPROVED	
PART NO:		BF02N0205E-2		DRAW NO	
File Number:				UNIT	mm
SCALE	/	REV	A	