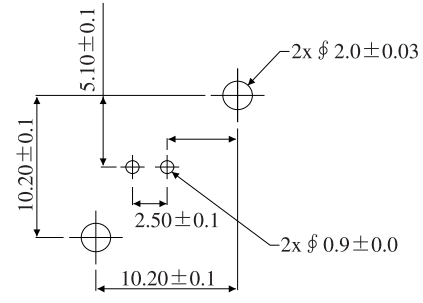
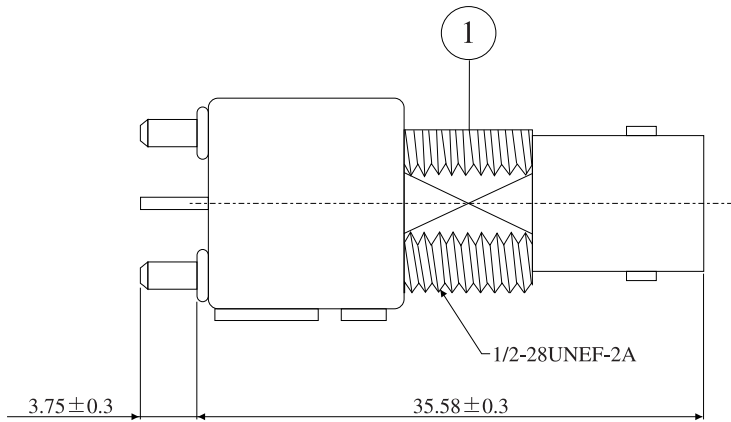
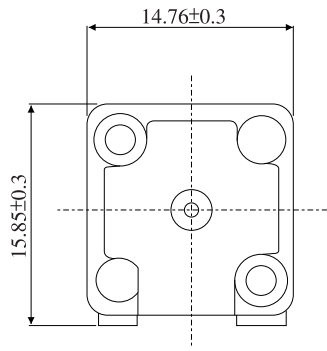
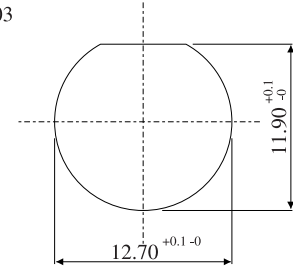


REV	DESCRIPTION	DATE
D	Initial Release	05.12.19

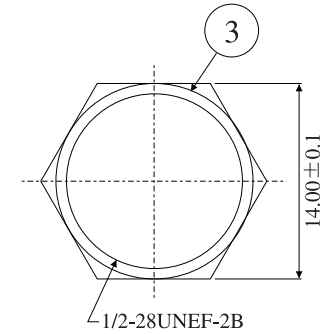
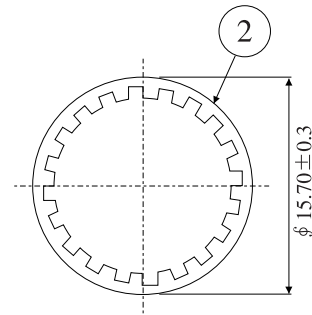


PCB HOLE CONFIGURATION



PANLE CUTOUT

1. NOMINAL IMPEDANCE 50 OHME.
2. FREQUENCY RANGE: 0 - 4 GHz.
3. MAX PEAK VOLTAGE: 500V.
4. INSULATION RESISTANCE: 5000 MEGOHMS MIN.
5. DIELECTRIC WITHSTANDING VOLTAGE: 1500 VOLTE RMS.



3	NUT	BRASS	NICKEL	1
2	LOCK WASHER	SK-5	NICKEL	1
1	GROUNDING POST	Cu COVERED STEEL	TIN	1
	CONTACT	P.BRONZE	GOLD & TIN	
	INSULATOR	PP	NONE	
	BODY	ZINC ALLOY	NICKEL	
ITEM	DESCRIPTION	MATERIAL	FINISHED	QTY

ROHS COMPLIANT

		DRAWN BY		TOMMY	
		CHECKED			
TITLE:		BNC STRAIGHT JACK PCB RECEPTACLE		APPROVED	
PART NO:		BF02N0301E(3109)		DRAW NO	
DRAW . BOX NO:					
SCALE	2:1	REV	D	UNIT	mm