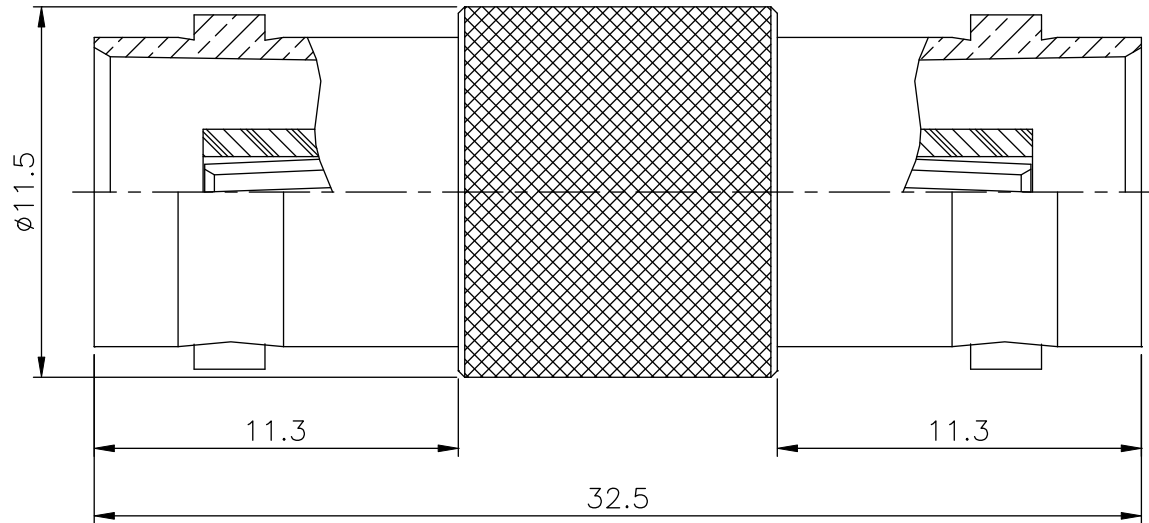


REMARK: RoHS COMPLIANT

REV	DESCRIPTION	DATE
A1	Initial Release	06'.08.28



- FINISH (PLATING THICKNESS IN MICRO-INCHES)
1. BRASS PER QQ-B-626
 2. NICKEL PL 70 MIN THICK OVER COPPER STRIKE
 3. GOLD PL 3 MIN OVER NICKEL PL 70 MIN THICK OVER COPPER STRIKE
 4. PHOSPHOR BRONZE PER QQ-B-750

LOCK RING	NOTE 1	NOTE 2
CONTACT PIN	NOTE 4	NOTE 3
INSULATOR	DELFIN	WHITE
BODY	NOTE 1	NOTE 2
DESCRIPTION	MATERIAL	FINISH

UNLESS OTHERWISE SPECIFIED TOLERANCES

0.5~6 = ±0.2
 >6~30 = ±0.4
 >30~120 = ±0.6
 >120~315 = ±1
 >315~1000 = ±1.6
 ANGLES = ±5°

PANSTRONG COMPANY LTD.				DRAWN BY	TOMMY
				CHECKED	
TITLE:	BNC JACK TO JACK ADAPTOR			APPROVED	
PART NO:	BF02N02T			DRAW NO	
File Number:					
SCALE	4:1	REV	A1	UNIT	mm