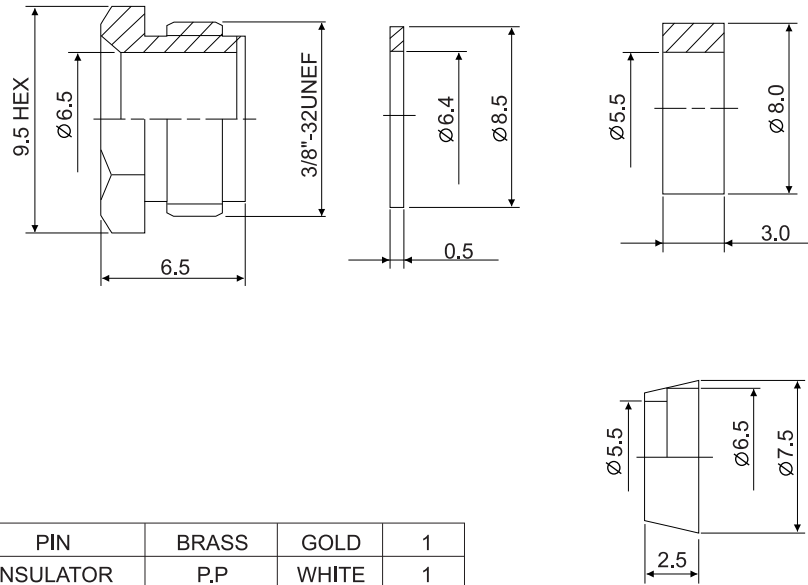
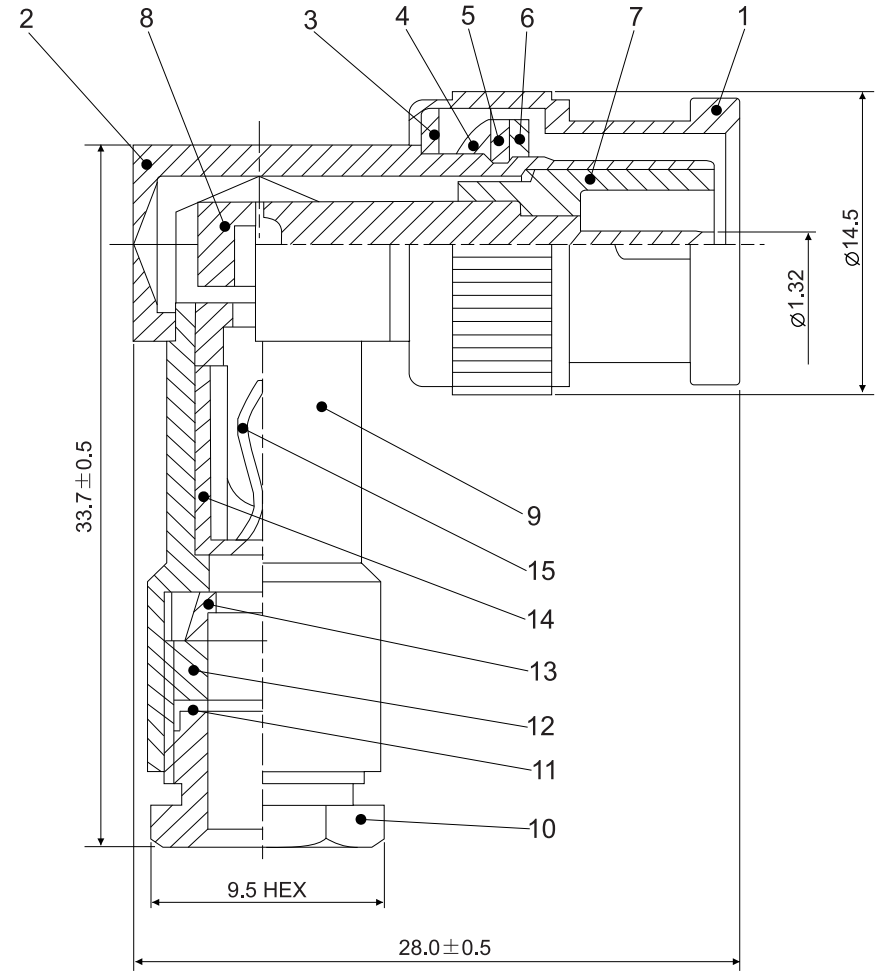


REV	DESCRIPTION	DATE
A	Initial Release	06'.12.11



15	PIN	BRASS	GOLD	1
14	INSULATOR	P.P	WHITE	1
13	TOP HAT	BRASS	NICKEL	1
12	GASKET	BUBBER	RED	1
11	WASHER	BRASS	NICKEL	1
10	SCREW	BRASS	NICKEL	11
9	BODY	BRASS	NICKEL	1
8	PIN	BRASS	GOLD	1
7	INSULATOR	DELTRIN	WHITE	1
6	GASKET	RUBBER	RED	1
5	WASHER	STEEL	NICKEL	1
4	SPRING	SK-5	NICKEL	1
3	WASHER	BRASS	NICKEL	1
2	BODY	BRASS	NICKEL	1
1	SHELL	BRASS	NICKEL	1
NO	DESCRPTION	MATERIAL	FINISH	Q'TY



ROHS COMPLIANT

		DRAWN BY		TOMMY
		CHECKED		
TITLE:		BNC MALE RIGHT ANGLE CLAMP		APPROVED
PART NO:		BM01N0212		DRAWING NO.
SCALE	/	REV	A	UNIT mm