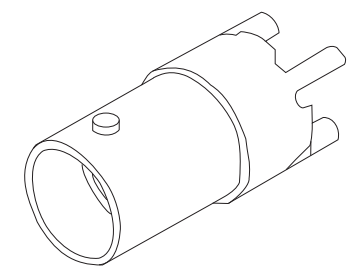
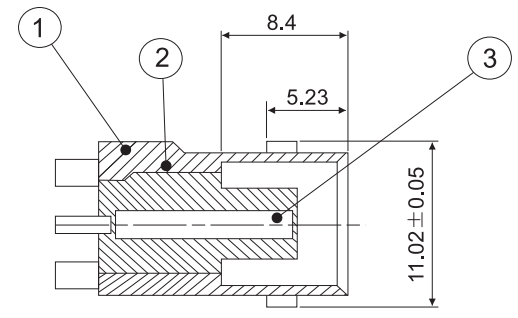
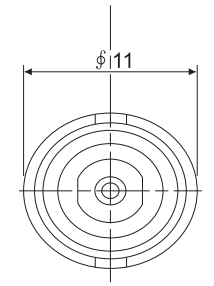
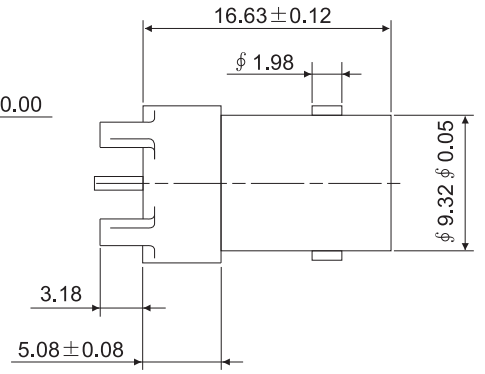
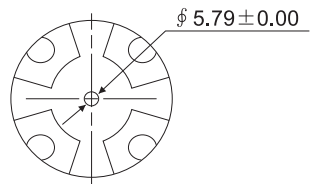
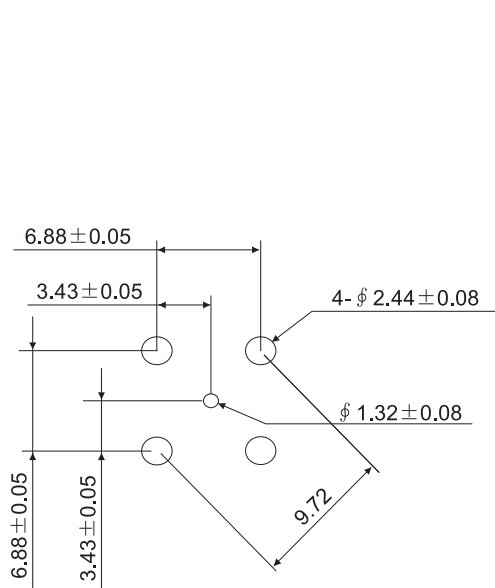


REV	DESCRIPTION	DATE
A	Initial Release	06.12.20



**MATERIAL & PLATING**

- 1. BODY : ZINC ALLOY
- 2. INSULATOR : PE-606
- 3. CENTER CONTACT : PHOSPHOR BRONZE, GOLD PLATED

**SPECIFICATION**

IMPERANCE : 60 ohm  
 VOLTG : 500V mins  
 INTERFACE PER MIL-C-33012C

ROHS COMPLIANT

<b>PANSTRONG COMPANY LTD.</b>	DRAWN BY		TOMMY	
	CHECKED			
TITLE:	50Ω BNC COMMERCIAL WERTICAL PCB MOUNT JACK		APPROVED	
PART NO:	BF02N0306E-2(3138)		DRAW NO	
DRAW. BOX NO:				
SCALE	2:1	REV	A	UNIT mm