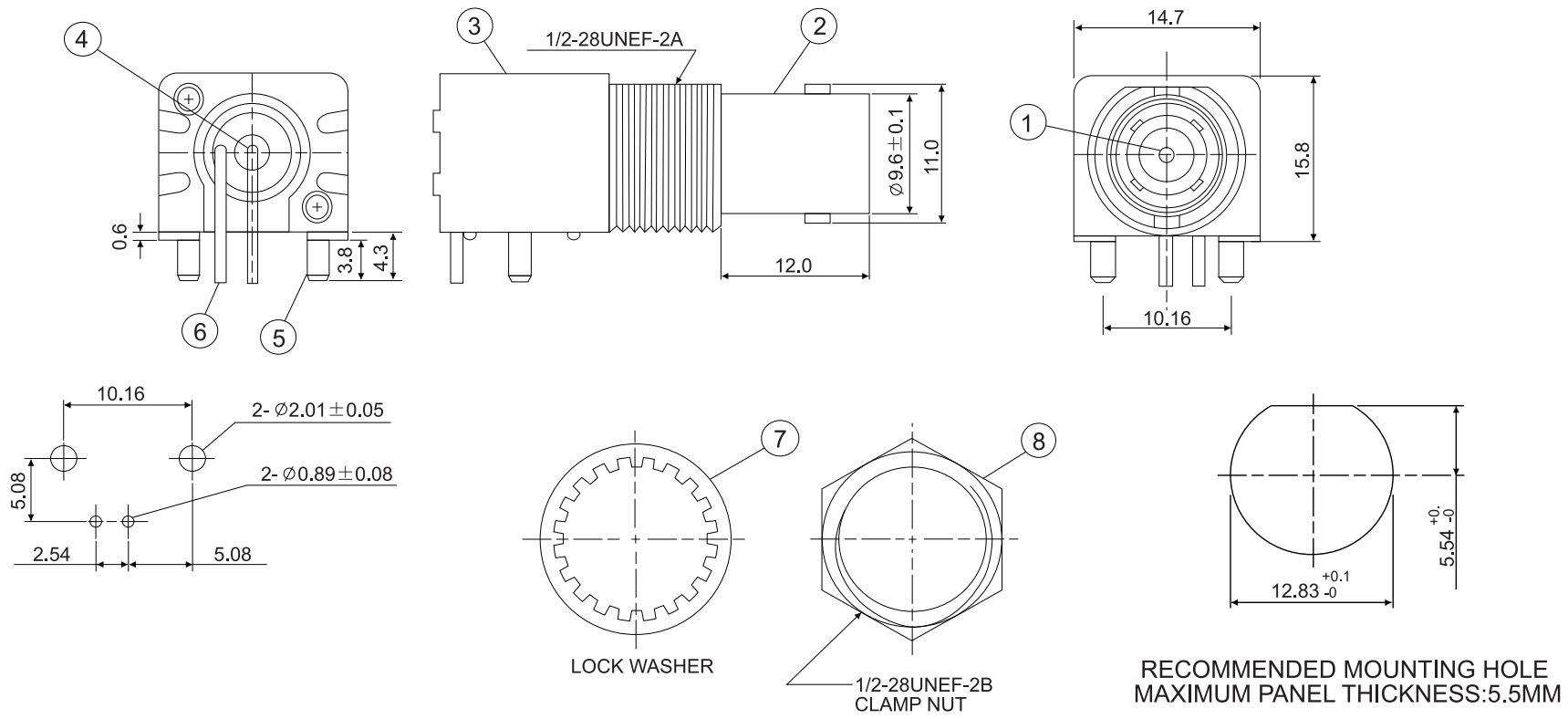


REV	DESCRIPTION	DATE
A	Initial Release	06'.12.15



MATERIAL & FINISH

1. CENTER CONTACT : BRONZE, GOLD PLATING
2. BODY : ZINC ALLOY, NICKEL PLATING
3. HOUSING : PBT(94 V-0)
4. INSULATOR : PE-606
5. MOUNTING POST : BRONZE, TIN PLATING
6. SOLDER TAIL : COPPER WIRE, TIN PLATING
7. WASHER : STEEL, NICKEL PLATING
8. NUT : BRASS, NICKEL PLATING

ROHS COMPLIATN

P/N	COLOR	IMPEDANCE
BF01W0401L5A	WHITE	50 OHMS
BF01W0401L5B	WHITE	75 OHMS
BF01K0401L5A	BLACK	50 OHMS
BF01K0401L5B	BLACK	75 OHMS

PANSTRONG COMPANY LTD.				DRAWN BY		TOMMY	
				CHECKED			
TITLE:		BNC R/A PCB MOUNT JACK		APPROVED			
PART NO:		BF01X0401L5X		DRAWING NO.			
SCALE		/		REV	A	UNIT	mm

