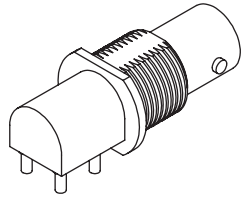
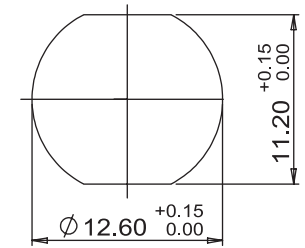
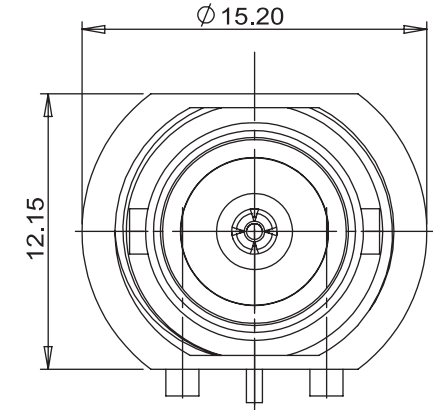
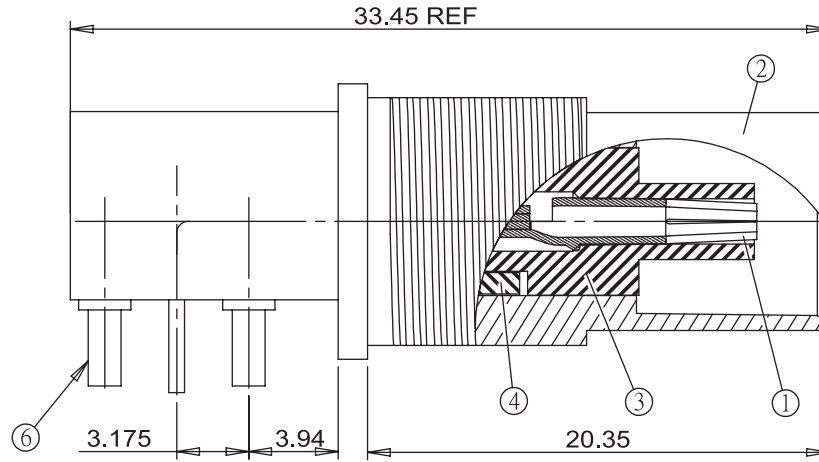
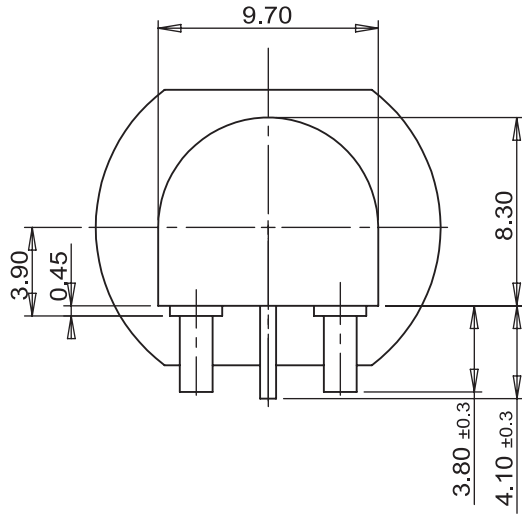


REV	DESCRIPTION	DATE
A	Initial Release	12'.07.30

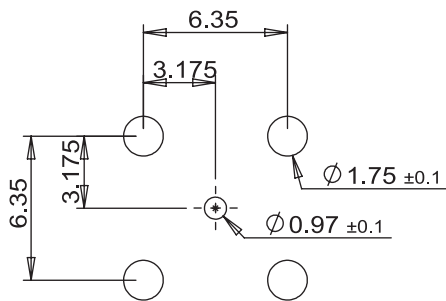


MATERIAL & FINISH

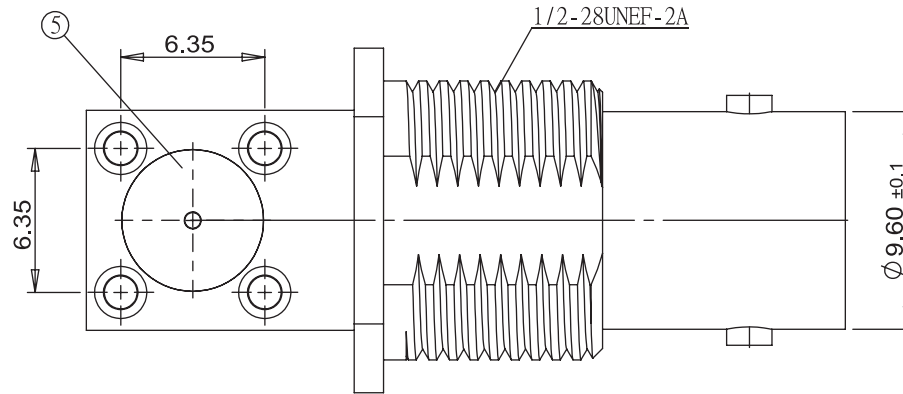
- 1.CENTER CONTACT : PHOSPHOR BRONZE, GOLD PLATING
- 2.BODY : ZINC ALLOY, NICKEL PLATING
- 3~5.INSULATOR : TPX
- 6.MOUNTING POST : BRASS, TIN PLATING



RECOMMENDED MOUNTING HOLE
 MAXIMUM PANEL THICKNESS: 5.5mm
 SCALE: 2/1



RECOMMENDED PCB BOARD LAYOUT
 WITHOUT MOUNTING POSTS



UNLESS OTHERWISE SPECIFIED:
 DIMENSIONS ARE IN mm
 TOLERANCES ARE:
 .X ± 0.2
 .XX ± 0.10
 .XXX ± 0.05
 .XXXX ± 0.025
 ANGLES ± 3 DEG

PANSTRONG COMPANY LTD.				DRAWN BY		TOMMY	
				CHECKED			
TITLE:				50Ω BNC R/A PCB MOUN JACK METAL BODY			
PART NO:				BF01N0801LE			
SCALE		3:1		REV		A	
UNIT		mm		APPROVED		DRAWING NO. B040076A	