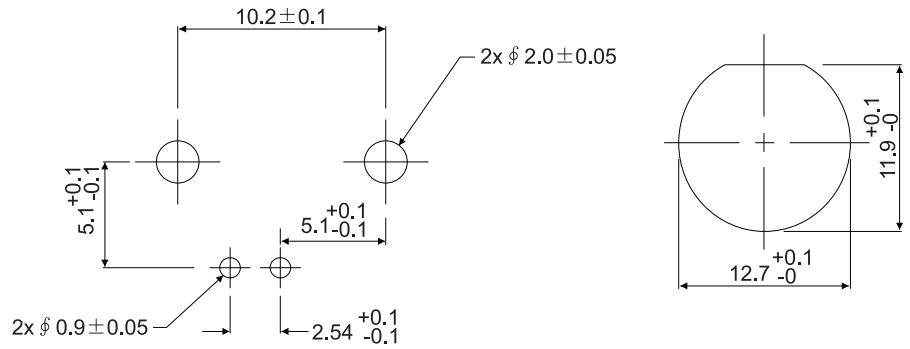
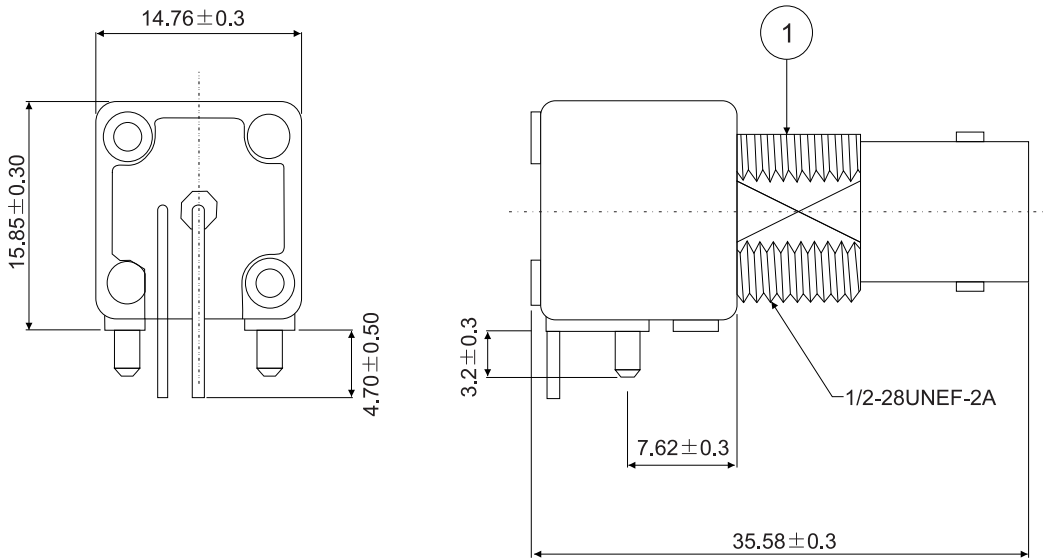


REV	DESCRIPTION	DATE
A	Initial Release	06'.07.31

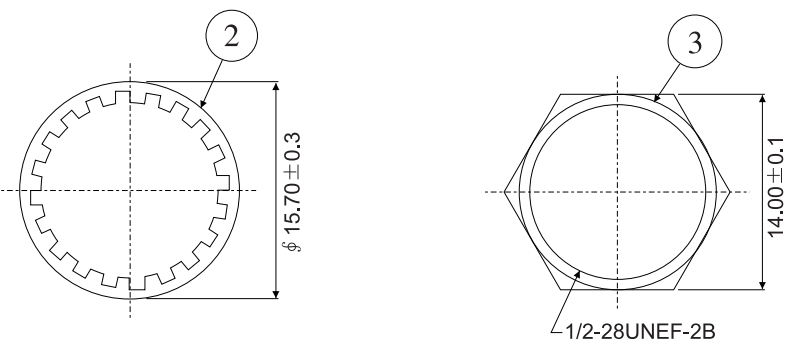


PCB HOLE CONFIGURATION

PANEL CUTOUT

NOTES:

1. NORMINAL IMPEDANCE : 50 OHMS
2. FREQUENCY RANGE : 0-4 GHz
3. MAX. PEAK VOLTAGE : 500V
- 4.INSULATION RESISTANCE : 5000 MEGOHMS MIN.
5. DIELECTRIC WITHSTANDING VOLTAGE : 1500 VOLTS RMS.



Materials and Finish:

3	NUT	BRASS	NICKEL	1
2	LOCK WASHER	SK-5	NICKEL	1
1	GROUNDING	Cu COVERED STEEL	TIN	1
	POST	BRASS	TIN	
	CONTACT	P.BRONZE	GOLD & TIN	
	INSULATOR	P.P.	NONE	
	BODY	ZINC ALLOY	NICKEL	
ITEM	DESCRIPTION	MATERIAL	FINISH	Q'TY

PANSTRONG COMPANY LTD.				DRAWN BY		TOMMY	
				CHECKED			
TITLE:		BNC R/A JACK PCB RECEPTACLE				APPROVED	
PART NO:		BF01N0301-L5				DRAWING NO.	
SCALE		2:1	REV	A	UNIT	mm	