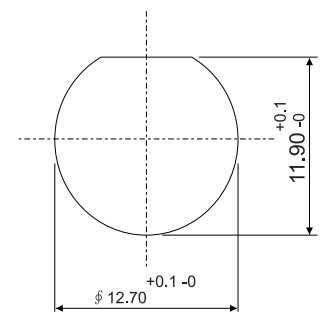
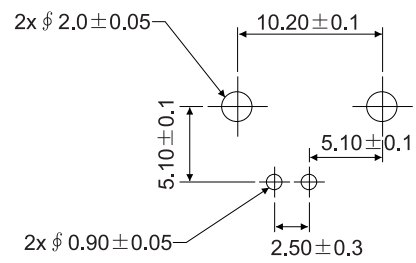
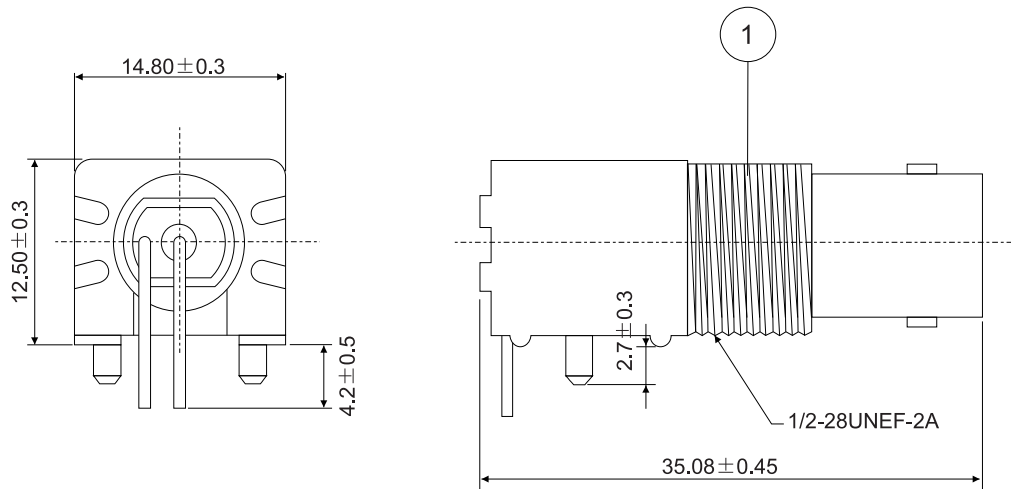
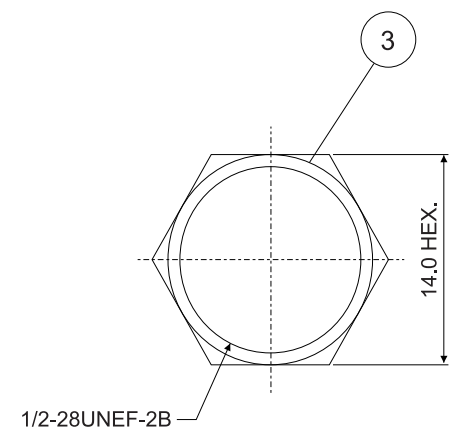
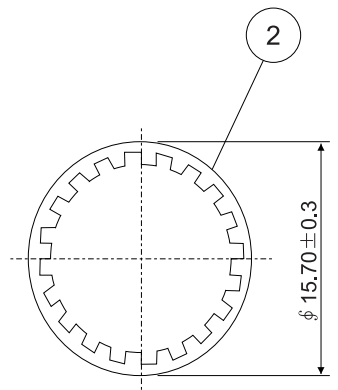


REV	DESCRIPTION	DATE
D	Initial Release	07.02.08



RECOMMENDED  
PANEL HOLE

CRDR NO.	COLOR	BODY FINISHED
BF01W0301L2E	WHITE	NICKEL
BF01K0301L2E	BLACK	NICKEL



1. NOMINAL IMPEDANCE 50 OHMS.
2. FREQUENCY RANGE: 0-4 GHz.
3. MAX PRAK VOLTAGE: 500V.
4. INSULATION RESISTANCE: 5000 MEGOHMS MIN.
5. DIELECTRIC WITHSTANDING VOLTAGE: 1500 VOLTS RMS.

3	NUT	BRASS	NICKEL	ACS-B/W-060001
2	LOCK WASHER	SK-5	NICKEL	ACS-B/N-070001
1	CONTACT	P.HRONZE	GOLD +TIN	BF01X0301L2E
	GROUNDING	Cu COVERED STEEL	TIN	
	INSULATOR	P.P	NONE	
	BODY	ZINC ALLOY	SEE TABLE	
	HOUSING	PBT+30%G.F.	SEE TABLE	
	POST	BRASS	TIN	
ITEM	DESCRIPTION	MATERIAL	FINISHED	PART NUMBER

ROHS COMPLIANT

<b>PANSTRONG COMPANY LTD.</b>				DRAWN BY		TOMMY	
				CHECKED			
TITLE: BNC R/A JACK PCB RECEPTACLE				APPROVED			
PART NO: BF01NX0301L2E				DRAW NO			
File Number:							
SCALE		2:1		REV		D	
UNIT		mm					