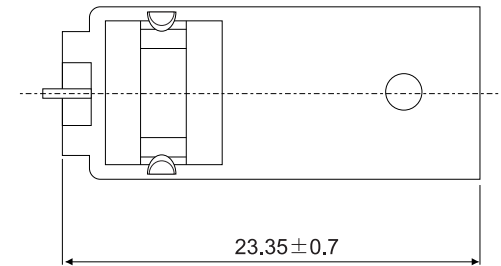
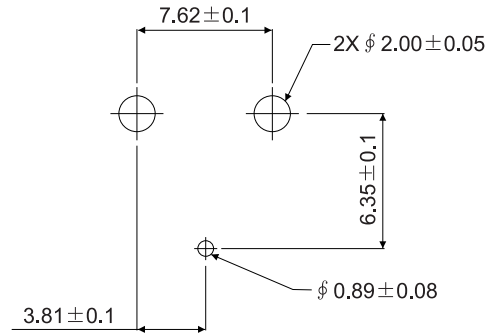
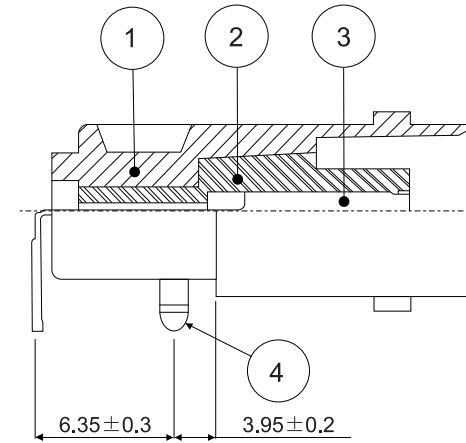
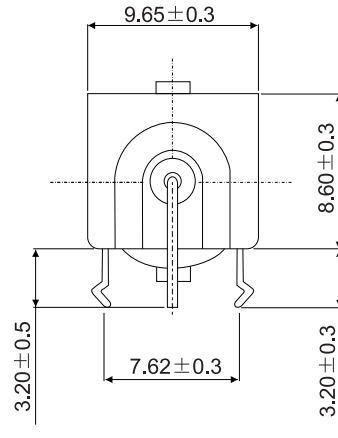


REV	DESCRIPTION	DATE
C	Initial Release	06.07.28

1. NOMINAL IMPEDANCE 50 OHMS.
2. FREQUENCY RANGE: 0~4 GHz.
3. MAX PEAK VOLTAGE: 500 V.
4. INSULATION RESTANSTANCE: 5000 MEGOHMS MIN.
5. DIELECTRIC WITHSTANDING VOLTAGE: 1500 VOLTS RMS.



ITEM	DESCRIPTION	MATERIAL	FINISHED	Q'TY
1	BODY	ZINC ALLOY	NICKEL	1
2	INSULATOR	P.P.	NONE	1
3	CONTACT	P. BRONZE	GOLD	1
4	GROUNDING POST	P. BRONZE	TIN	1

ROHS COMPLIANT

PANSTRONG COMPANY LTD.		DRAWN BY		TOMMY
		CHECKED		
TITLE:		BNC MINI R/A JACK PCB RECEPTACLE		APPROVED
PART NO:		BF01N0302E-2S		DRAW NO
DRAW. BOX NO:				
SCALE	2:1	REV	C	UNIT mm

