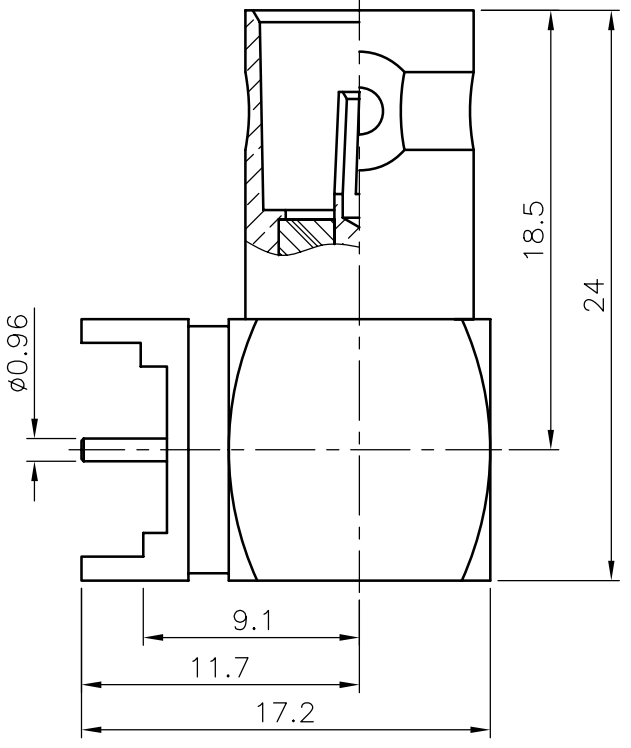
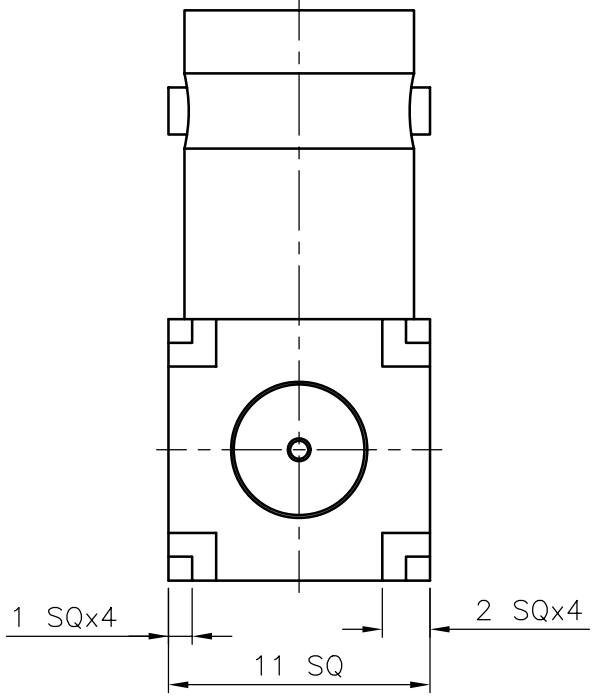
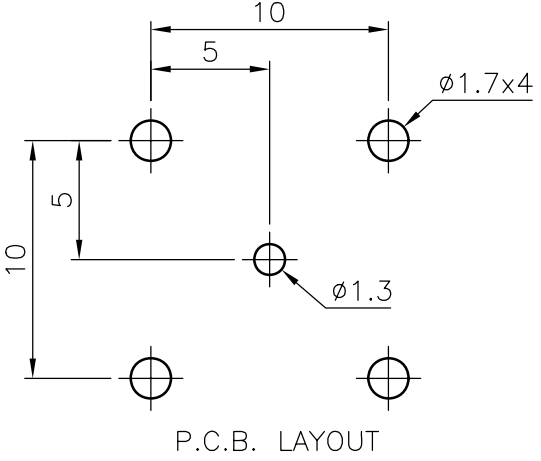


| REV | DESCRIPTION | DATE |
|-----|-----------------|----------|
| A | Initial Release | 06.08.16 |



- NOTES: FINISH (PLATING THICKNESS IN MICRO-INCHES)
- BRASS PER QQ-B-626
 - NICKEL PL 70 MIN THICK OVER COPPER STRIKE
 - GOLD FLUSH OVER NICKEL PL 70 MIN THICK OVER COPPER STRIKE
 - TEFLON MIL-P-19468

| | | |
|-------------|----------|--------|
| INSULATOR | NOTE 4 | WHITE |
| BODY | NOTE 1 | NOTE 3 |
| INSULATOR | NOTE 4 | WHITE |
| CONTACT PIN | NOTE 1 | NOTE 3 |
| CUBE BODY | NOTE 1 | NOTE 2 |
| DESCRIPTION | MATERIAL | FINISH |

ROHS COMPLIANT

| | | | | | |
|---------------|--------------------------|-----|---|----------|-------|
| | PANSTRONG COMPANY LTD. | | | DRAWN BY | TOMMY |
| | | | | CHECKED | |
| TITLE: | BNC R/A PCB RECEIPT JACK | | | APPROVED | |
| PART NO: | BF01N0101E | | | DRAW NO | |
| DRAW. BOX NO: | | | | | |
| SCALE | 3:1 | REV | A | UNIT | mm |
| | | | | | |