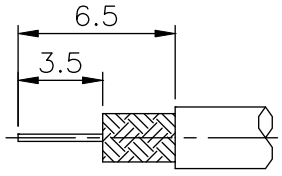
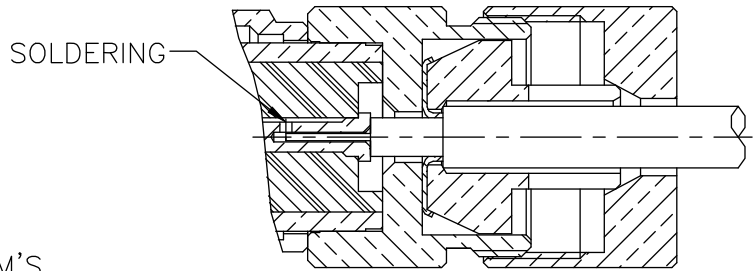


RoHS COMPLIANT

REV	DESCRIPTION	DATE
A	Initial Release	06'.08.23

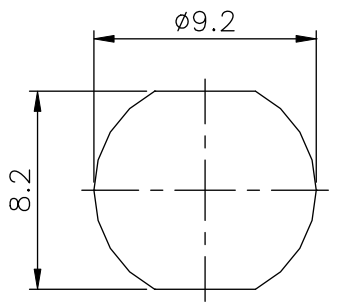


RECOMMENDED
CABLE STRIPPING DIM'S

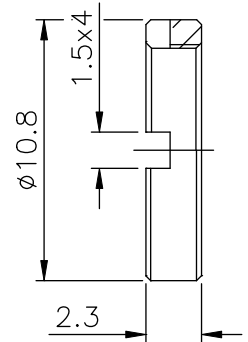


USER GUIDE

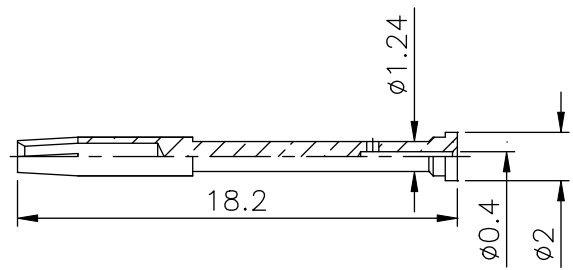
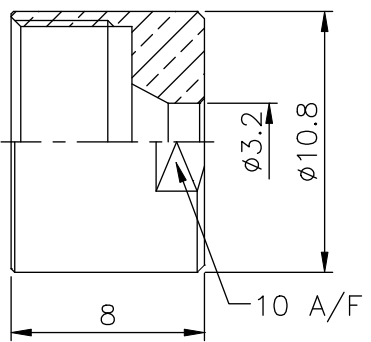
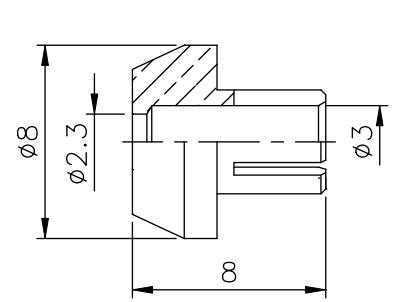
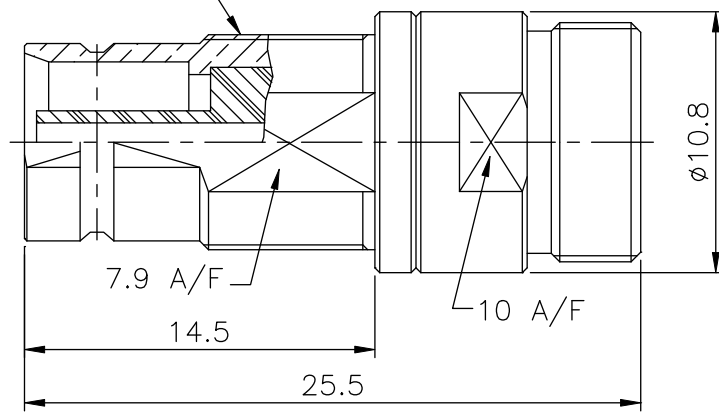
- FINISH (PLATING THICKNESS IN MICRO-INCHES)
1. BRASS PER QQ-B-626
 2. NICKEL PL 70 MIN THICK OVER COPPER STRIKE
 3. GOLD PL 3 MIN OVER NICKEL PL 70 MIN THICK OVER COPPER STRIKE
 4. TEFLON MIL-P-19468
 5. PHOSPHOR BRONZE PER QQ-B-750



RECOMMENDED
MOUNTING HOLE



M9xP0.5-6g



NUT	NOTE 1	NOTE 2
NUT	NOTE 1	NOTE 2
BRAID HOLDER	NOTE 1	NOTE 2
CONTACT PIN	NOTE 5	NOTE 3
BODY	NOTE 1	NOTE 2
INSULATOR	NOTE 4	WHITE
BODY	NOTE 1	NOTE 3
DESCRIPTION	MATERIAL	FINISH

1. CONTACT PIN TO SOLDER
2. MAX. PANEL THICKNESS=2.5mm

UNLESS OTHERWISE SPECIFIED TOLERANCES

0.5-6	= ±0.2
>6-30	= ±0.4
>30-120	= ±0.6
>120-315	= ±1
>315-1000	= ±1.6
ANGLES	= ±5°

PANSTRONG COMPANY LTD.		DRAWN BY		TOMMY	
		CHECKED			
TITLE:		1.6/5.6 CLAMP JACK (FOR RG-179/U,187A/U)			
PART NO:		1656F02G0112			
SCALE		3:1	REV	A	
UNIT	mm	APPROVED		DRAWING NO. 1656F02G0112 -BF000B	