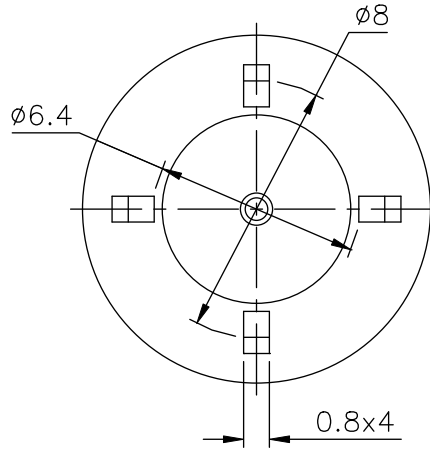
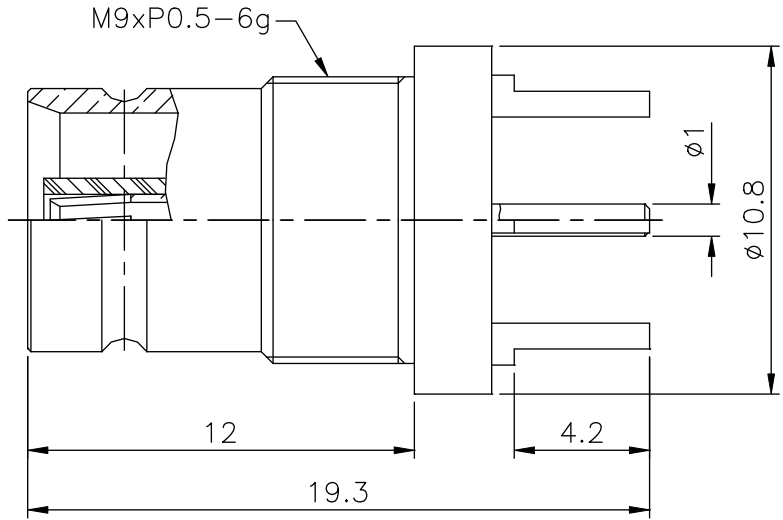
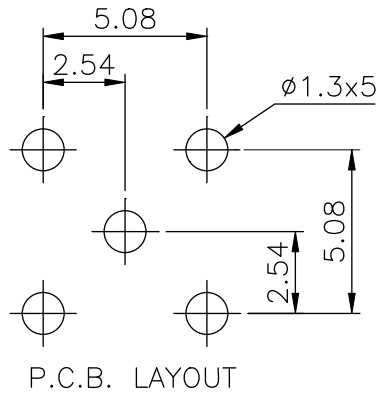


REV	DESCRIPTION	DATE
A	Initial Release	06'.08.16



- FINISH (PLATING THICKNESS IN MICRO-INCHES)
1. BRASS PER QQ-B-626
  2. GOLD PL 3 MIN OVER NICKEL PL 70 MIN THICK OVER COPPER STRIKE
  3. TEFLON MIL-P-19468
  4. BERYLLIUM COPPER PER QQ-C-530
  5. GOLD PL 30 MIN OVER NICKEL PL 70 MIN THICK OVER COPPER STRIKE

CONTACT PIN	NOTE 4	NOTE 5
INSULATOR	NOTE 3	WHITE
BODY	NOTE 1	NOTE 2
DESCRIPTION	MATERIAL	FINISH



DIMENSIONS ARE IN MILLIMETERS  
UNLESS OTHERWISE SPECIFIED  
TOLERANCES

0.5-6 = ±0.2  
6-30 = ±0.4  
30-100 = ±0.6  
>100-215 = ±1  
>215-1000 = ±1.6  
ANGLES = ±5°

<b>PANSTRONG COMPANY LTD.</b>	<b>DRAWN BY</b>	<b>TOMMY</b>
	<b>CHECKED</b>	
<b>TITLE:</b>	1.6/5.6 PCB MOUNT JACK	
<b>PART NO:</b>	1656F02G0101	
<b>SCALE</b>	4:1	REV A
<b>UNIT</b>	mm	
<b>APPROVED</b>	<b>DRAWING NO.</b>	1656F02G0101 -BD000B