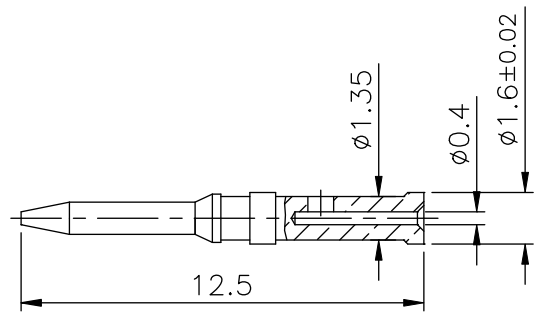
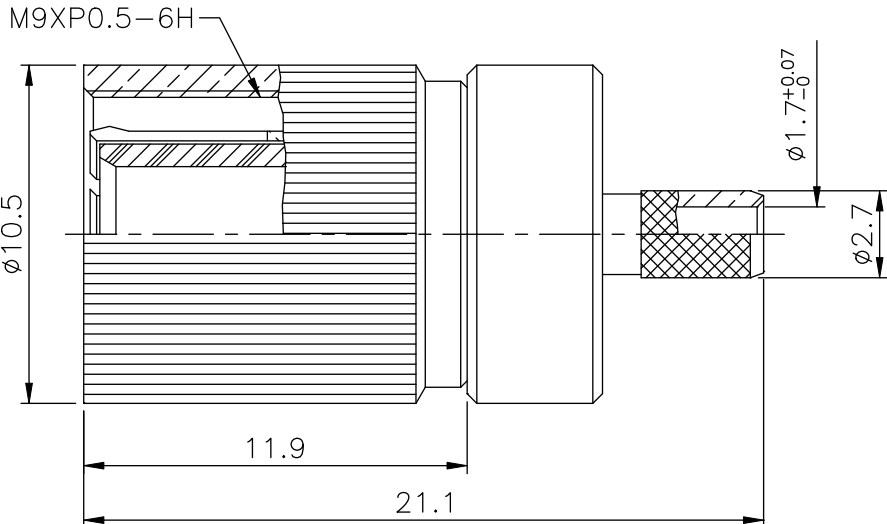
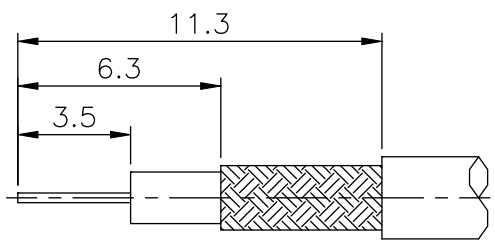


REV	DESCRIPTION	DATE
A	Initial Release	06'.08.17



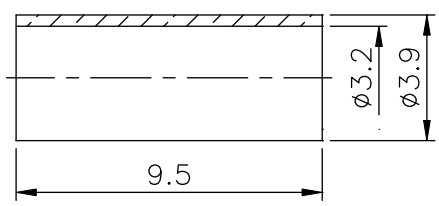
- FINISH (PLATING THICKNESS IN MICRO-INCHES)
1. BRASS PER QQ-B-626
  2. GOLD PL 3 MIN OVER NICKEL PL 70 MIN THICK OVER COPPER STRIKE
  3. TEFLON MIL-P-19468
  4. BRASS JIS H 3250, C 2700
  5. PHOSPHOR BRONZE PER QQ-B-750
  6. NICKEL PL 70 MIN THICK OVER COPPER STRIKE

FERRULE	NOTE 4	NOTE 6
CONTACT PIN	NOTE 1	NOTE 2
CONTACT BODY	NOTE 5	NOTE 2
INSULATOR	NOTE 3	WHITE
BRAID HOLDER	NOTE 1	NOTE 6
SHELL	NOTE 1	NOTE 6
BODY	NOTE 1	NOTE 6
DESCRIPTION	MATERIAL	FINISH



RECOMMENDED  
CABLE STRIPPING DIM'S

1. CRIMPED FERRULE  
HEX CRIMP SIZE .128" (3.25mm)
2. CRIMPED CONTACT PIN  
SQ CRIMP SIZE .042" (1.07mm)



RoHS COMPLIANT

UNLESS OTHERWISE SPECIFIED TOLERANCES	
0.5-6	= ±0.2
>6-30	= ±0.4
>30-120	= ±0.6
>120-315	= ±1
>315-1000	= ±1.6
ANGLES	= ±5°

	PANSTRONG COMPANY LTD.		DRAWN BY	TOMMY
			CHECKED	
TITLE:	1.6/5.6 CRIMP PLUG (FOR RG-179/U, 187A/U)		APPROVED	
PART NO:	1656M02N0111		DRAWING NO.	
SCALE	4:1	REV	A	UNIT mm

