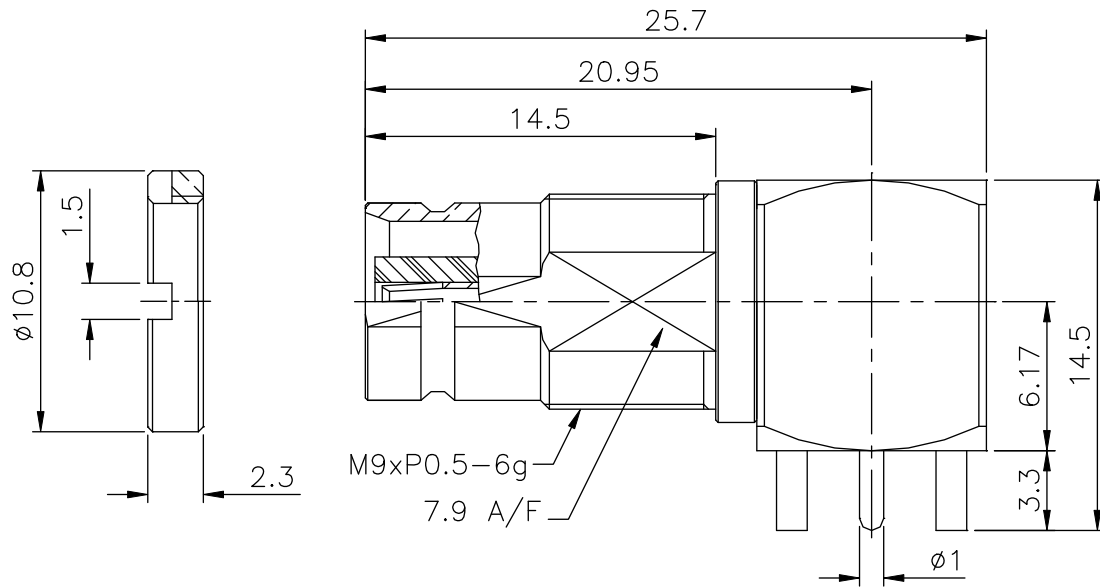
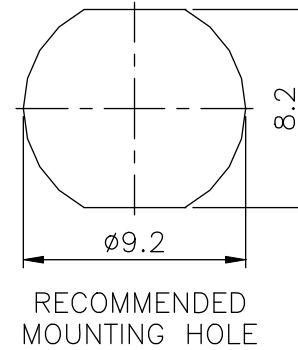
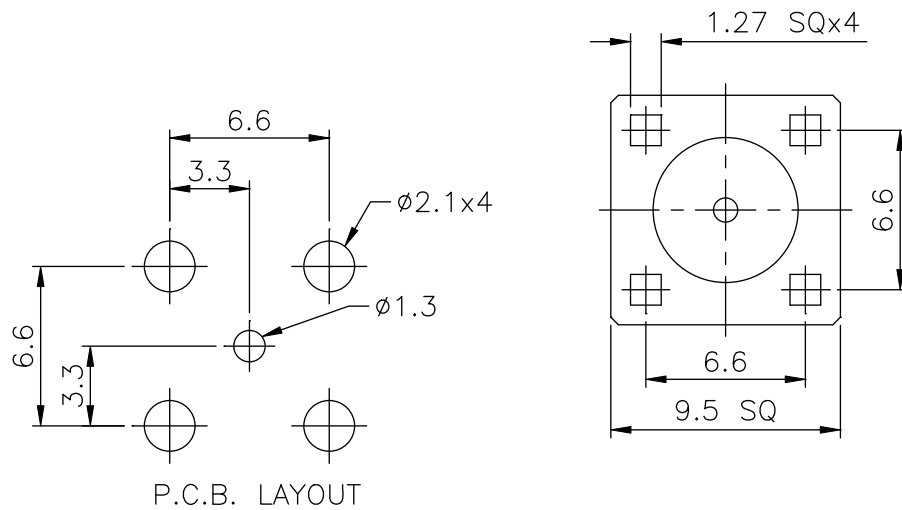


RoHS COMPLIANT

REV	DESCRIPTION	DATE
A	Initial Release	06'.08.15



- FINISH (PLATING THICKNESS IN MICRO-INCHES)
1. BRASS PER QQ-B-626
  2. GOLD PL 3 MIN OVER NICKEL PL 70 MIN THICK OVER COPPER STRIKE
  3. NICKEL PL 70 MIN THICK OVER COPPER STRIKE
  4. TEFLON MIL-P-19468
  5. PHOSPHOR BRONZE PER QQ-B-750



NUT	NOTE 1	NOTE 3
INSULATOR	NOTE 4	WHITE
BODY	NOTE 1	NOTE 2
INSULATOR	NOTE 4	WHITE
CONTACT PIN	NOTE 5	NOTE 2
CUBE BODY	NOTE 1	NOTE 3
DESCRIPTION	MATERIAL	FINISH

1. MAX. PANEL THICKNESS=2.5mm

UNLESS OTHERWISE SPECIFIED TOLERANCES

0.5-6	= ±0.2
>6-30	= ±0.4
>30-120	= ±0.6
>120-315	= ±1
>315-1000	= ±1.6
ANGLES	= ±5°

PANSTRONG COMPANY LTD.		DRAWN BY	TOMMY
		CHECKED	
TITLE:	1.6/5.6 R/A PCB MOUNT JACK		APPROVED
PART NO:	1656F01G0101A		DRAWING NO. 1656F01G0101A-BF000B
SCALE	3:1	REV	A
UNIT	mm		