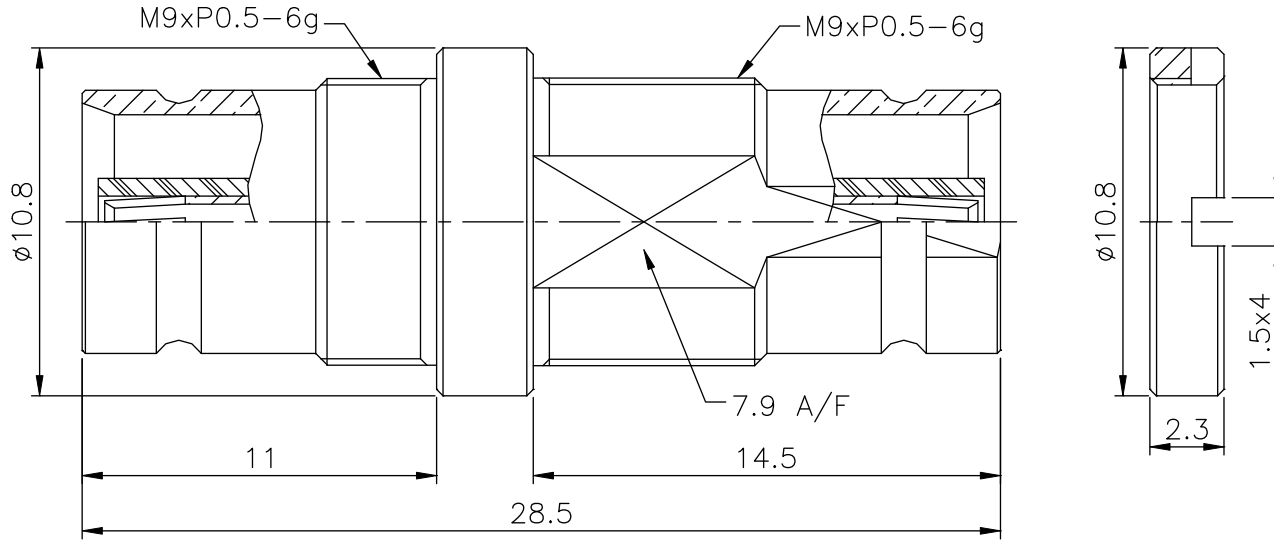


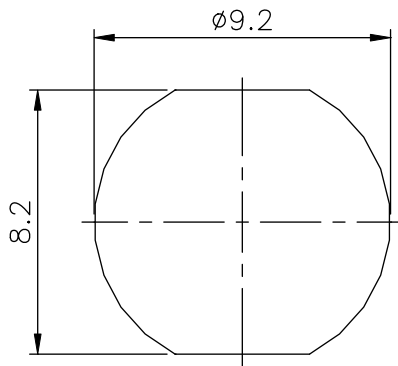
RoHS COMPLIANT

REV	DESCRIPTION	DATE
A1	Initial Release	06'.08.23



- FINISH (PLATING THICKNESS IN MICRO-INCHES)
1. BRASS PL 3 MIN OVER NICKEL PL 70 MIN THICK OVER COPPER STRIKE
 2. GOLD PL 3 MIN OVER NICKEL PL 70 MIN THICK OVER COPPER STRIKE
 3. TEFLON MIL-P-19468
 4. PHOSPHOR BRONZE PER QQ-B-750
 5. NICKEL PL 70 MIN THICK OVER COPPER STRIKE

NUT	NOTE 1	NOTE 5
CONTACT PIN	NOTE 4	NOTE 2
INSULATOR	NOTE 3	WHITE
BODY	NOTE 1	NOTE 2
DESCRIPTION	MATERIAL	FINISH



RECOMMENDED MOUNTING HOLE

1. MAX. PANEL THICKNESS=2.5mm

UNLESS OTHERWISE SPECIFIED TOLERANCES

0.5~6	= ±0.2
>6~30	= ±0.4
>30~120	= ±0.6
>120~315	= ±1
>315~1000	= ±1.6
ANGLES	= ±5°

	PANSTRONG COMPANY LTD.			DRAWN BY	TOMMY
				CHECKED	
TITLE:	1.6/5.6 Jack To Bulkhead Jack Adaptor			APPROVED	
PART NO:	1656F/FU01			DRAW NO	
File Number:					
SCALE	4:1	REV	A1	UNIT	mm