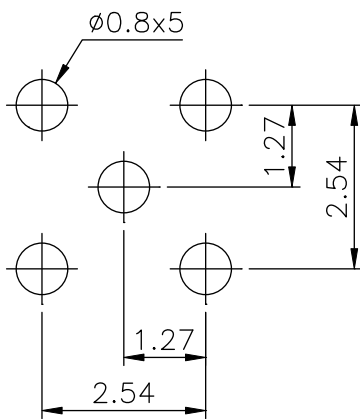
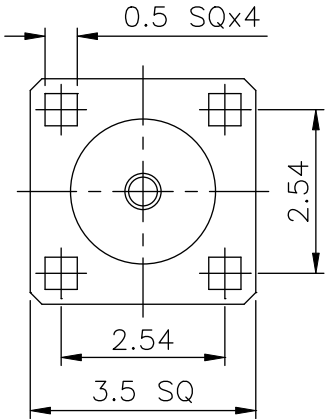
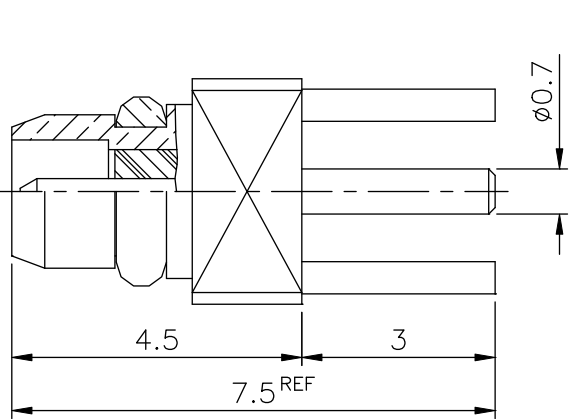


REV	DESCRIPTION	DATE
A	Initial Release	03'.09.30

REMARK: RoHS COMPLIANT



P.C.B. LAYOUT

- FINISH (PLATING THICKNESS IN MICRO-INCHES)
1. BRASS PER QQ-B-626
  2. GOLD PL 5 MIN OVER NICKEL PL 70 MIN THICK OVER COPPER STRIKE
  3. GOLD PL 30 MIN OVER NICKEL PL 70 MIN THICK OVER COPPER STRIKE
  4. TEFLON MIL-P-19468
  5. BERYLLIUM COPPER PER QQ-C-530

DESCRIPTION	MATERIAL	FINISH
RETAINER RING	NOTE 5	NOTE 2
CONTACT PIN	NOTE 1	NOTE 3
INSULATOR	NOTE 4	WHITE
BODY	NOTE 1	NOTE 2

DIMENSIONS ARE IN MILLIMETERS UNLESS OTHERWISE SPECIFIED TOLERANCES

0.5-6 = ±0.2  
 >6-30 = ±0.4  
 >30-120 = ±0.6  
 >120-315 = ±1  
 >315-1000 = ±1.6  
 ANGLES = ±5°

<b>PANSTRONG COMPANY LTD.</b>				DRAWN BY		TOMMY	
				CHECKED			
TITLE:		MMCX PCB MOUNT PLUG				APPROVED	
PART NO:		MXM01G0101				DRAW NO	
File Number:							
SCALE	/	REV	A	UNIT	mm		