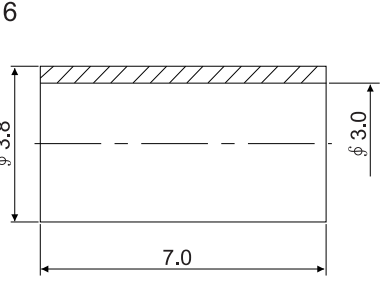
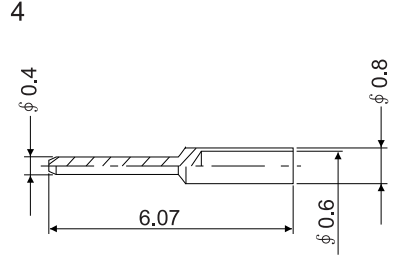
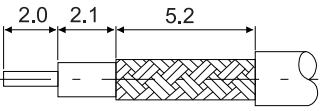
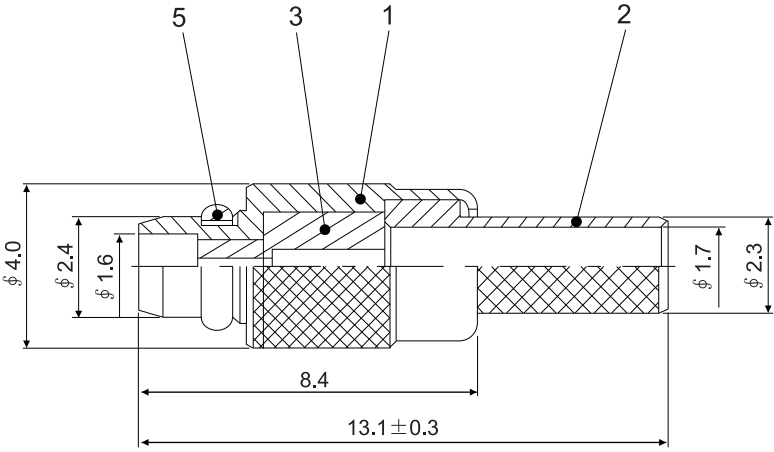



REV	DESCRIPTION	DATE
A	Initial Release	07.03.20



6	RING	BRASS	GOLD 5u"MIN	1
5	RETAINER RING	Be Cu	GOLD 5u"MIN	1
4	PIN	BRASS	GOLD 30u"MIN	1
3	INSULATOR	TEFLON	WHITE	1
2	BODY	BRASS	GOLD 5u"MIN	1
1	BODY	BRASS	GOLD 5u"MIN	1
NO	DESCRIPTION	MATERIAL	FINISH	Q'TY

 <b>PANSTRONG COMPANY LTD.</b>				DRAWN BY	TOMMY
				CHECKED	
TITLE:		MMCX PLUG CRIMP RG174/U, 188/U, 316/U		APPROVED	
PART NO:		MXM02G0111		DRAW NO	
File Number:				UNIT	mm
SCALE	/	REV	A	