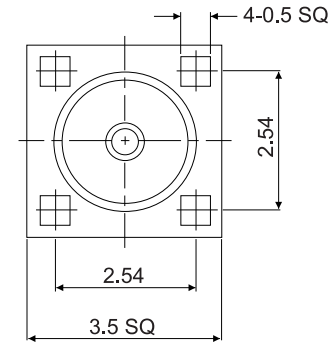
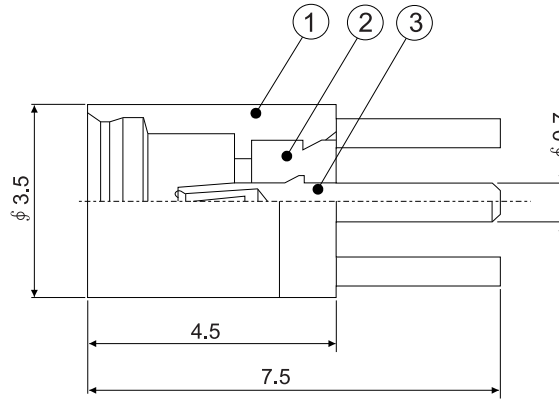
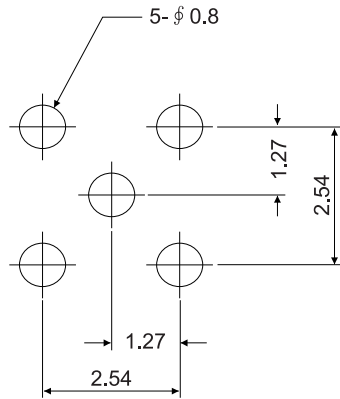


REV	DESCRIPTION	DATE
A	Initial Release	07.03.20




PCB MOUNTING HOLES

FINISH(PLATING THICKNESS IN MICRO-INCHES)

1. BRASS PER QQ-B-626
2. GOLD PL 3 MIN THICK OVER NICKEL PL 100 MIN THICK OVER COPPER STRIKE
3. BERYLLIUM COPPER PER QQ-C-530
4. GOLD PL 30 MIN THICK OVER MICKEL PL 100 MIN THICK OVER COPPER STRIKE
5. TEFLON MIN-P-19468

NO	DESCRIPTION	MATERIAL	FINISH	Q'TY
3	CONTACT PIN	NOTE 3	GOLD	1
2	INSULATOR	NOTE 5	GOLD	1
1	BODY	NOTE 1	GODL	1

 <b>PANSTRONG COMPANY LTD.</b>				DRAWN BY	TOMMY
				CHECKED	
TITLE:	MMCX P.C. MOUNT JACK			APPROVED	
PART NO:	MXF02G0101			DRAW NO	
File Number:					
SCALE	/	REV	A	UNIT	mm
				