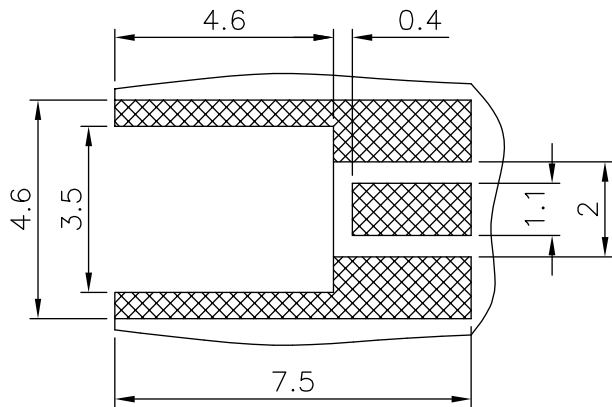
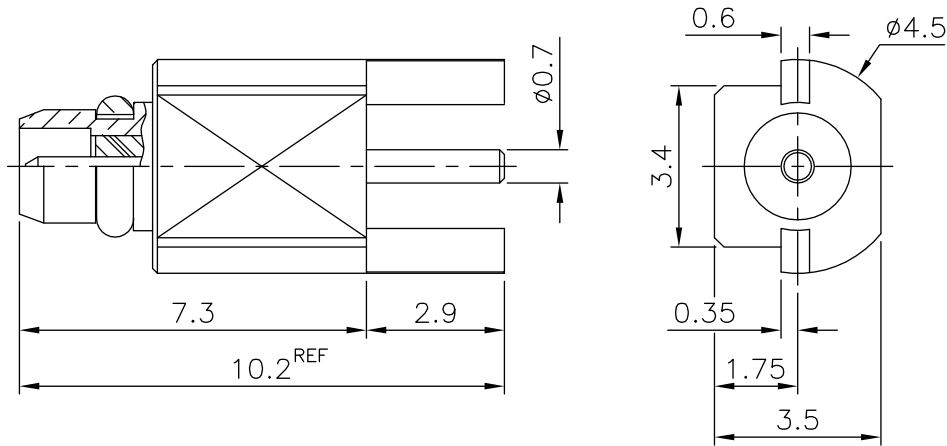


REMARK: RoHS COMPLIANT



REV	DESCRIPTION	DATE
A1	由BJ-9703-85BGTG-R 型號轉來,並變更 BODY及 RETAINER RING 之電鍍	06'.08.02
A2	MMCX SMT END LAUNCH JACK 修正為 MMCX SMT END LAUNCH PLUG	07'.05.17

FINISH (PLATING THICKNESS IN MICRO-INCHES)

1. BRASS PER QQ-B-626
2. GOLD PL 3 MIN OVER NICKEL PL 70 MIN THICK OVER COPPER STRIKE
3. GOLD PL 30 MIN OVER NICKEL PL 70 MIN THICK OVER COPPER STRIKE
4. TEFLON MIL-P-19468
5. BERYLLIUM COPPER PER QQ-C-530

RETAINER RING	NOTE 5	NOTE 2
CONTACT PIN	NOTE 1	NOTE 3
INSULATOR	NOTE 4	WHITE
BODY	NOTE 1	NOTE 2
DESCRIPTION	MATERIAL	FINISH

DIMENSIONS ARE IN MILLIMETERS
 UNLESS OTHERWISE SPECIFIED
 TOLERANCES
 0.5-6 = ±0.2
 >6-30 = ±0.4
 >30-120 = ±0.6
 >120-315 = ±1
 >315-1000 = ±1.6
 ANGLES = ±5°

PANSTRONG COMPANY LTD.	DRAWN BY	TOMMY				
	CHECKED					
TITLE:	MMCX SMT END LAUNCH PLUG	APPROVED				
PART NO:	MXM02G0109	DRAW NO				
DRAW. BOX NO:						
SCALE	6:1	REV	A2	UNIT	mm	