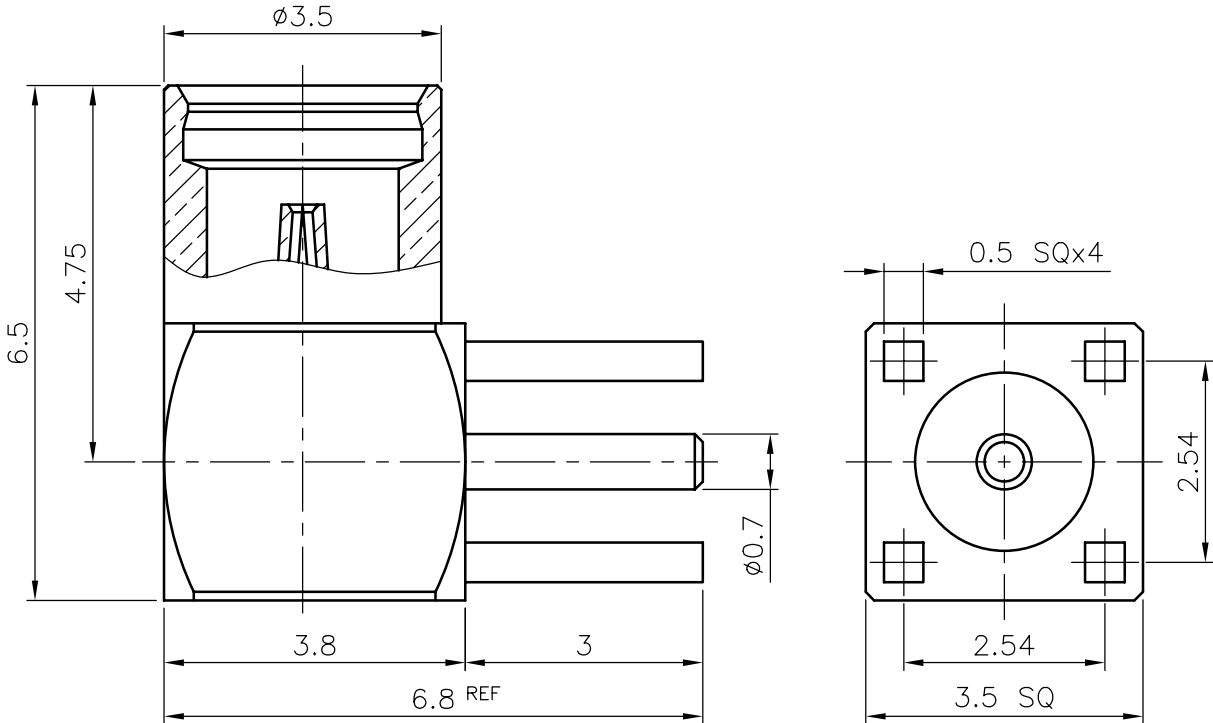


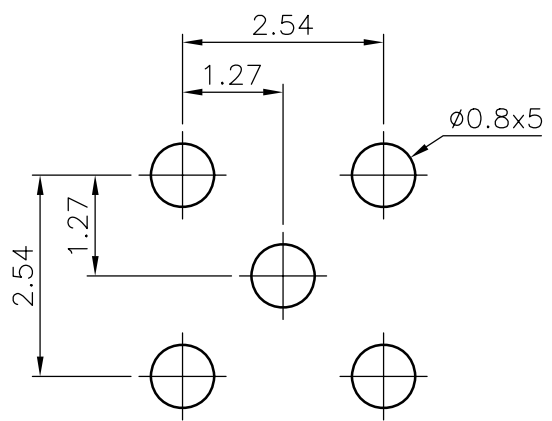
REV	DESCRIPTION	DATE
A	Initial Release	06.08.02

REMARK: RoHS COMPLIANT



- FINISH (PLATING THICKNESS IN MICRO-INCHES)
1. BRASS PER QQ-B-626
 2. GOLD PL 3 MIN THICK OVER NICKEL PL 70 MIN THICK OVER COPPER STRIKE
 3. GOLD PL 30 MIN THICK OVER NICKEL PL 70 MIN THICK OVER COPPER STRIKE
 4. TEFLON MIL-P-19468
 5. BERYLLIUM COPPER PER QQ-C-530

INSULATOR	NOTE 4	WHITE
BODY	NOTE 1	NOTE 2
INSULATOR	NOTE 4	WHITE
CONTACT PIN	NOTE 5	NOTE 3
CUBE BODY	NOTE 1	NOTE 2
DESCRIPTION	MATERIAL	FINISH



P.C.B. LAYOUT

UNLESS OTHERWISE SPECIFIED TOLERANCES

0.5-6	= ±0.2
>6-30	= ±0.4
>30-120	= ±0.6
>120-315	= ±1
>315-1000	= ±1.6
ANGLES	= ±5°

	PANSTRONG COMPANY LTD.		DRAWN BY	TOMMY
			CHECKED	
TITLE:	MMCX R/A PCB MOUNT JACK		APPROVED	
PART NO:	MXF01G0101		DRAW NO	
File Number:				
SCALE	10:1	REV	A	UNIT mm

